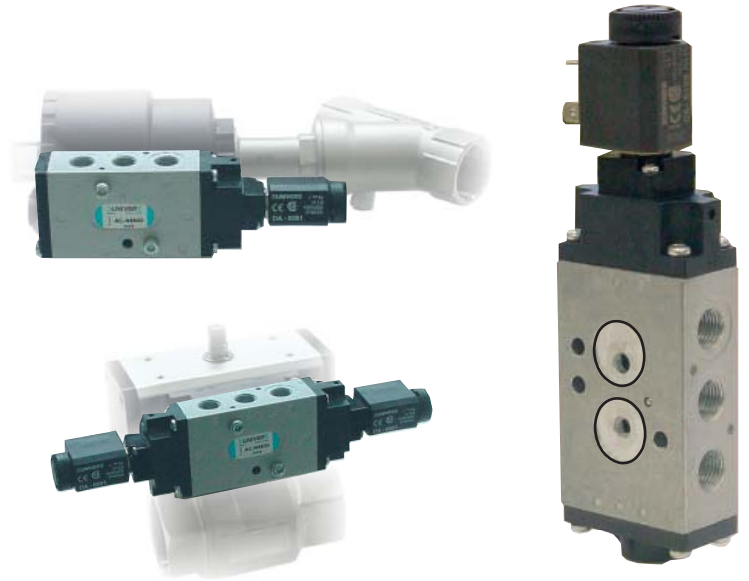


Electrovalve 3/2 - 5/2 according to NAMUR specifications

Electrovalve suitable for the control of single- and double-acting pneumatic rotary actuators used in industrial plants for the distribution of the fluids.

- **Body:** die-cast Zamak
- **Working pressure:** 2÷10 bar
- **Ambient temperature:** -10 + 45°C
- **Fluid:** filtered air 50 µm
- **Fluid temperature:** -10 + 50°C
- **Nominal diameter:** 8 mm G 1/4
- **Rated capacity:** 1200 NI/min
- **Switching system:** mixed
- **Response time:** 5÷30 m/s
- **Coils:** DA series (U1) - DC series (U3)



Ordering code

AC-N8100 = 5/2 P/M

AC-N8300 = 3/2 E/M

AC-N8500 = 5/2 E/M

AC-N8120 = 5/2 P/P

AC-N8320 = 3/2 E/E

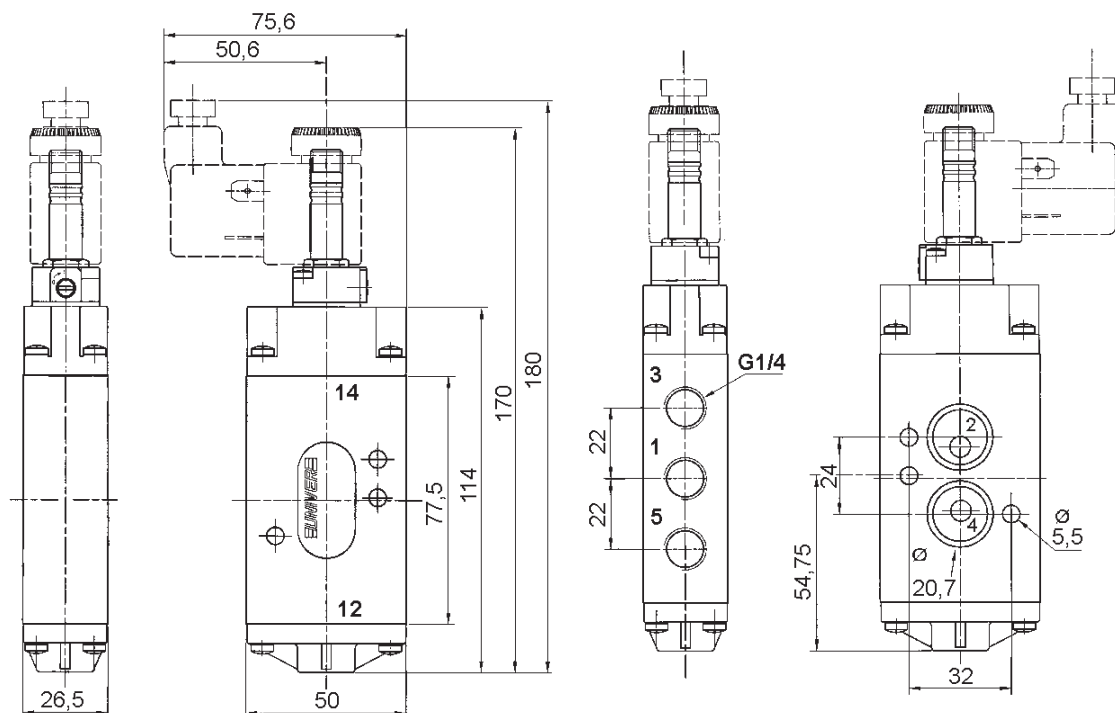
AC-N8520 = 5/2 E/E

Legenda/Legend/Légende/Légende

E = Electric

M = Pneu-mechanical spring

P = Pneumatic



- Legend**
- 1 = Supply
 - 2-4 = Consumption
 - 3-5 = Exhausts
 - 12 = Return
 - 14 = Control

Upon request:
Components suitable for use in ambients
with risk of explosion.
Group II Zone 2G and 22D

