



Directional Control Valves

G¹/₈, 3/2 Poppet Valves

Catalogue no: 2132GB-ca



Poppet valves G¹/₈

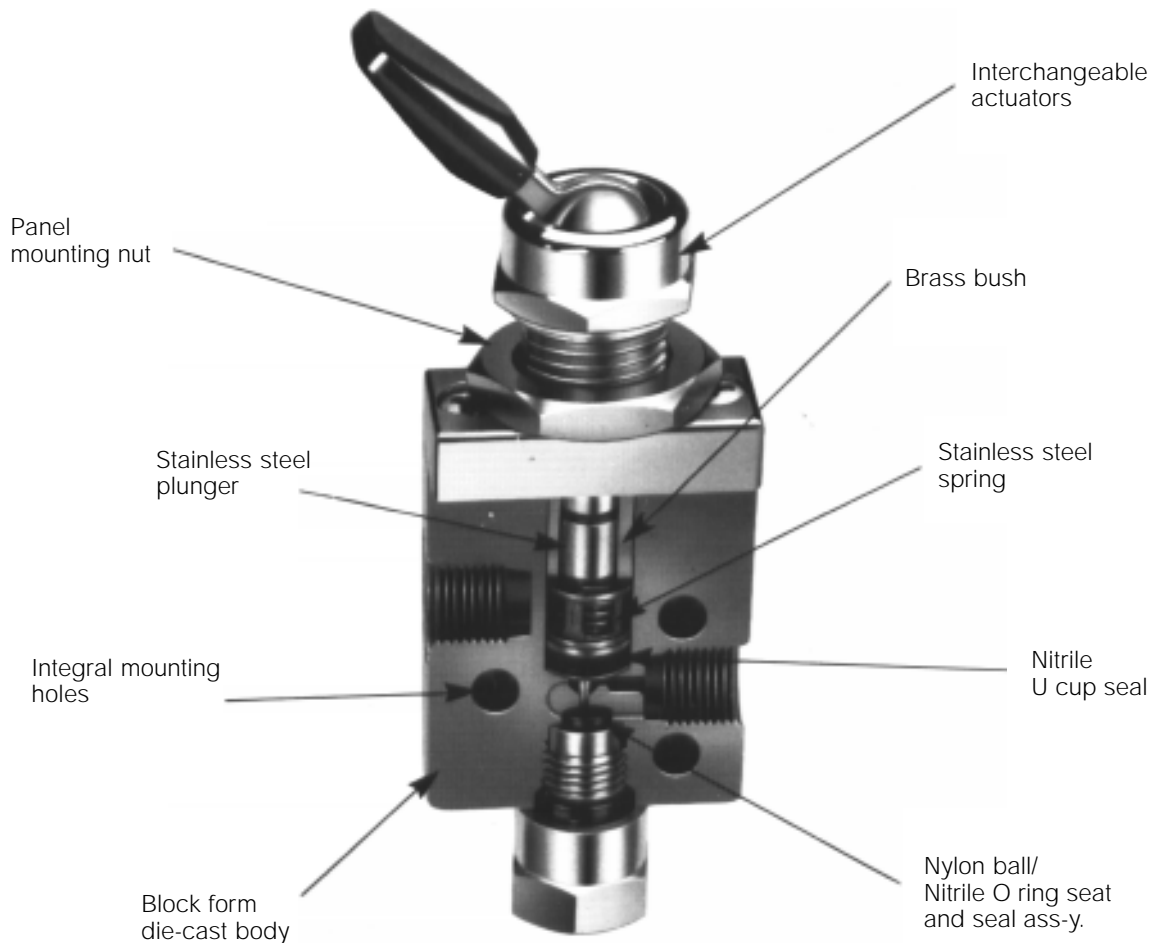
Midget poppet valves

Combining, versatility, compactness and the rugged design characteristics of the poppet mechanism. This range of poppet valves, provides units that are light to operate and give long and trouble free operational life.

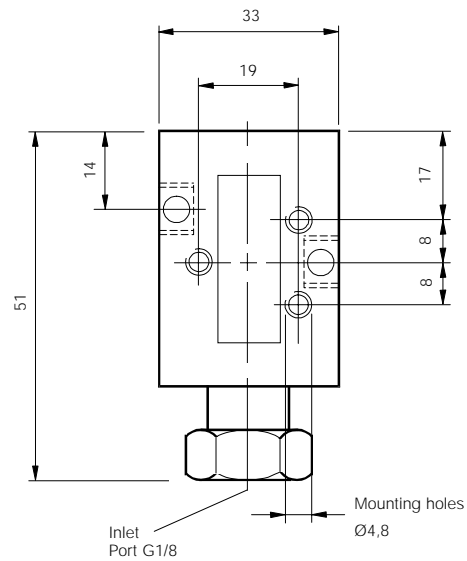
The body is a block-form die-casting in zinc. The poppet mechanism uses a nylon ball and a synthetic rubber 'O' ring as the main seat and seal respectively, the exhaust seal is of 'U' cup form, working with a stainless steel plunger. All the valves are greased during assembly, they will run for long periods without further lubrication.

Designed for use with air, the small poppet area requires only a light force to operate any of the valves, a factor particularly useful in the mechanically operated types, other available actuators cover the automatic and manual operation. The return mechanism after actuation is by spring on all valves in the range.

Features



Basic body dimensions (mm)



Repair kits

Description	Part no.
Mechanically, manually and air pilot operated valves	43608
Diaphragm operated valves.	43608B

Lubricating oils

To ensure long life and trouble free service from valves, it is recommended the equipment should be adequately lubricated by means of lubricators which disperse oil into the system. Only paraffinic based oils can be used, and the following recommendations are given as a general guide to types of oil that are suitable for use with Parker airline equipment.

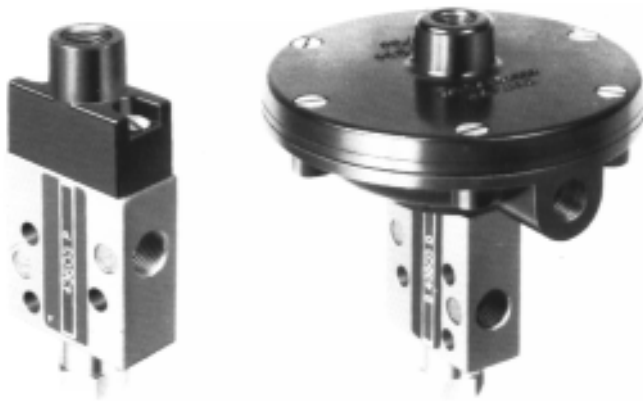
The list opposite does not preclude the use of oils manufactured by other companies but oils must be paraffinic based.

As a general guide, lubricator drip rates should be 1 drip/minute for every 5 litre/second (10 cubic feet per minute) passed through the equipment.

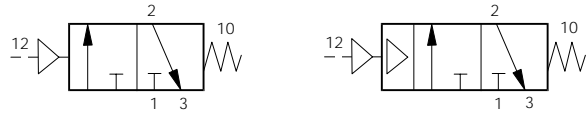
Oil company	Grade	Viscosity
Century oils	P.W.L.A	32
Alexander Duckham	Zircon 4	32
Gulf oil (GB) Limited	Harmony 43 AW	32
Shell (UK) oil	Tellus 37	37
Burmah Castrol	Hyspin AWS 32	32
Edgar Vaughan	Y Hydrodrive HP 100	32
Esso Petroleum	Nuto H32	32
B.P.	HLP 32	32
Mobil Oil Company	DTE Oil - Light	32
Motul	VPI-A	32
Silkolene	Derwent 32	32

Poppet valves G¹/₈

Air pilot and diaphragm operated



Symbol



Materials

Body	Zinc diecast
Stem	Stainless steel
Spring housing	Aluminium
Seals	Nitrile
Spring	Stainless steel

Technical information

Type	Poppet valve
Style	Body ported
Port size	G ¹ / ₈
Mounting	Any plane
Temperature range	-10°C to +80°C

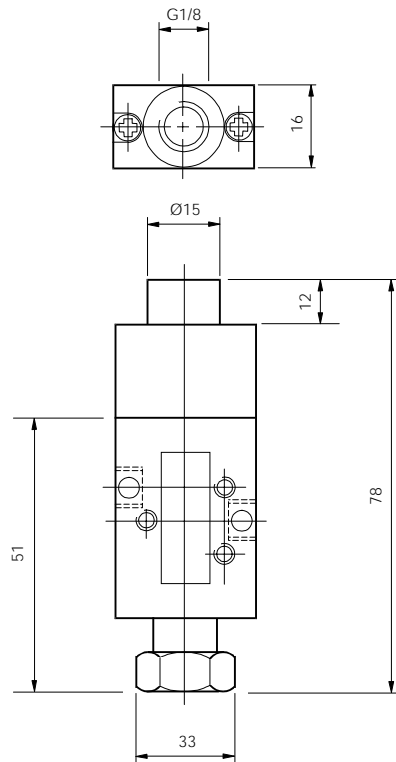
Pneumatic information

Pressure range	0 to 10 bar
Minimum pilot pressure	0,8 bar
Minimum dia. pressure	0,14 bar
Nominal Ø	3,2mm
Nominal flow at 7 bar	3,7 dm ³ /sec
Cv factor	0,175

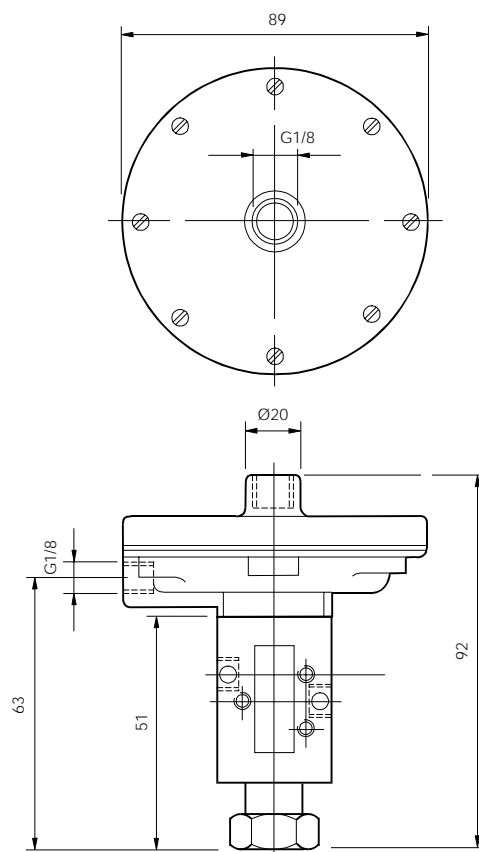
Ordering information

Part nos.	Actuator	Symbol
B43603P	Air pilot	
B43603D	Diaphragm	

Air pilot operated dimensions (mm)



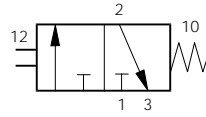
Diaphragm operated dimensions (mm)



Poppet valves G¹/₈

Mechanically operated valves

Symbol



Materials

Body	Zinc diecast
Stem	Stainless steel
Spring housing	Aluminium
Seals	Nitrile
Spring	Stainless steel

Technical information

Type	Poppet valve
Style	Body ported
Port size	G ¹ / ₈
Mounting	Any plane
Temperature range	-10°C to +80°C

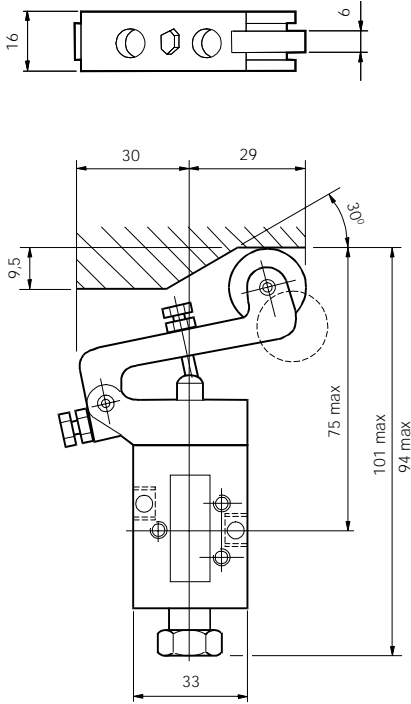
Pneumatic information

Pressure range	0 to 10 bar
Minimum pilot pressure	0,8 bar
Minimum dia. pressure	0,14 bar
Nominal Ø	3,2mm
Nominal flow at 7 bar	3,7 dm ³ /sec
Cv factor	0,175

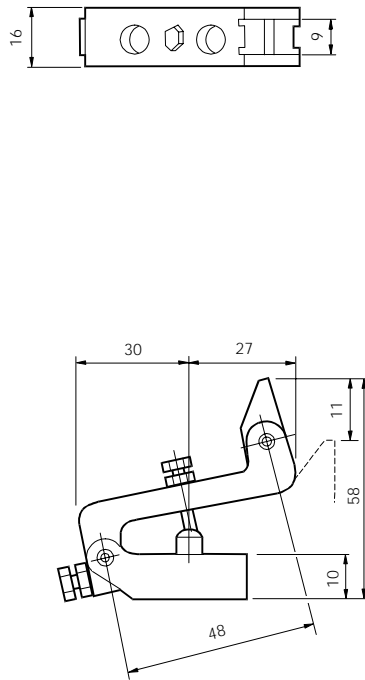
Ordering information

Part nos.	Actuator	Symbol	Operating force
B43603C	Plunger		11 N
B43603R	Roller		6 N
B43603RT	One way roller trip		6 N
B43603T	One way trip		6 N

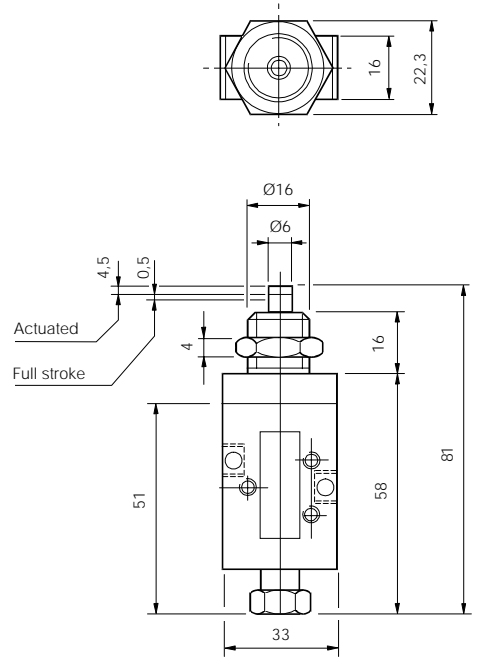
Roller operated spring return



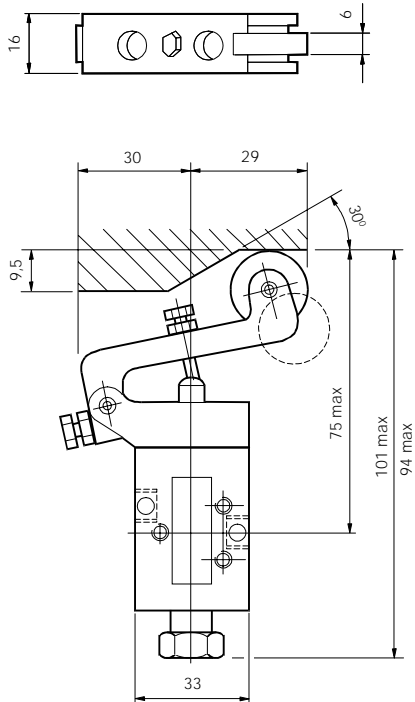
One way trip



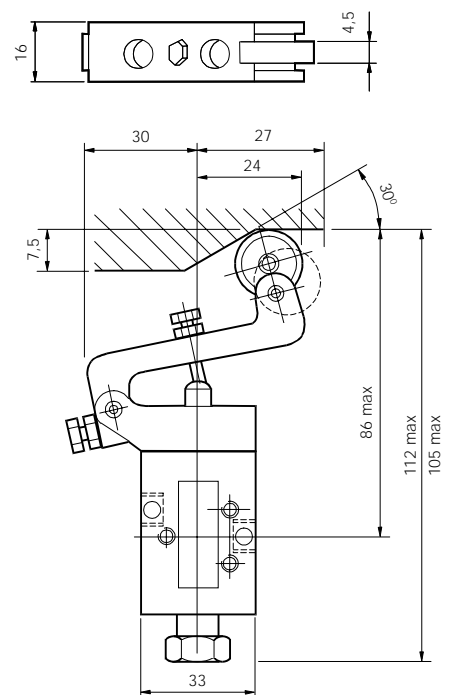
Plunger operated



Roller operated



One way roller trip operated

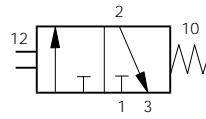


Poppet valves G¹/₈

Manually operated valves



Symbol



Materials

Body	Zinc diecast
Stem	Stainless steel
Spring housing	Aluminium
Seals	Nitrile
Spring	Stainless steel

Technical information

Type	Poppet valve
Style	Body ported
Port size	G ¹ / ₈
Mounting	Any plane
Temperature range	-10°C to +80°C

Pneumatic information

Pressure range	0 to 10 bar
Minimum pilot pressure	0,8 bar
Minimum dia. pressure	0,14 bar
Nominal Ø	3,2mm
Nominal flow at 7 bar	3,7 dm ³ /sec
Cv factor	0,175

Ordering information

Part nos.	Actuator	Symbol	Operating force
B43603B	Button		11 N
B43603E	Palm lever		5 N
B43603L	Lock down lever		5 N
B43603F	Foot		10 N

Button colours

Black : X

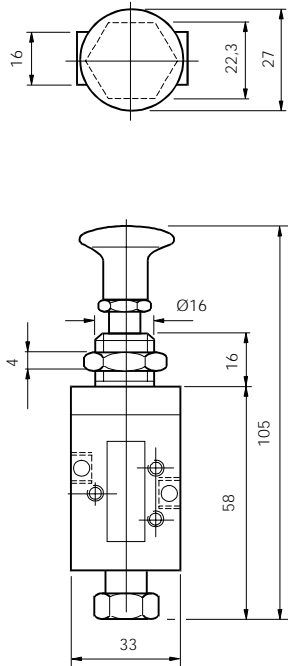
Red : Y

Green : Z

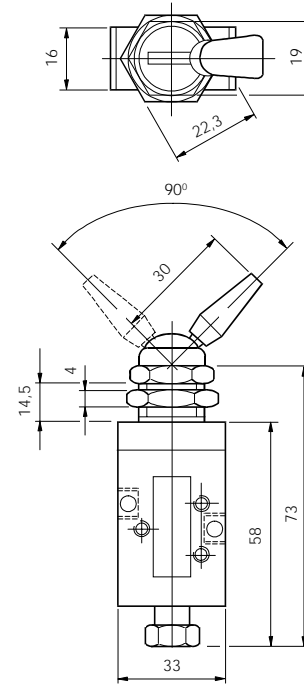
Add suffix to part no.

Poppet valves G¹/₈

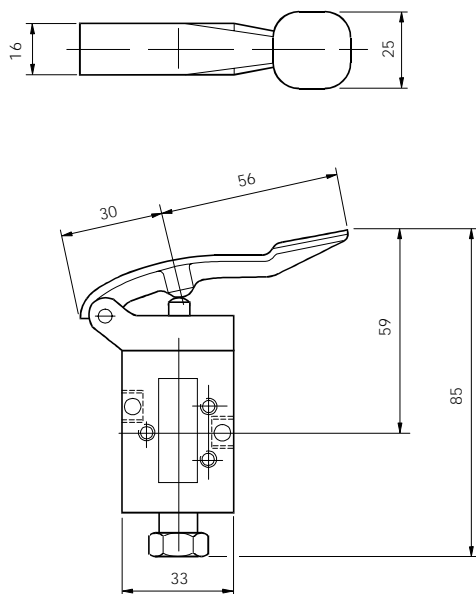
Button operated



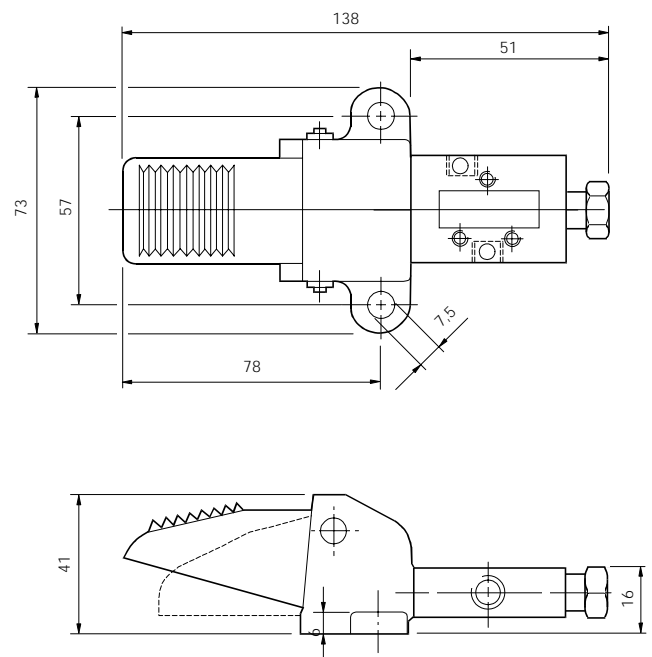
Lock down lever operated



Palm lever operated

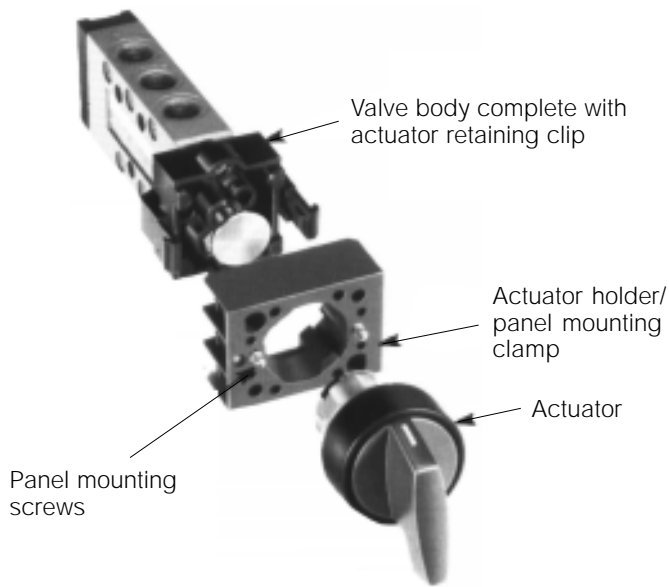


Foot pedal operated

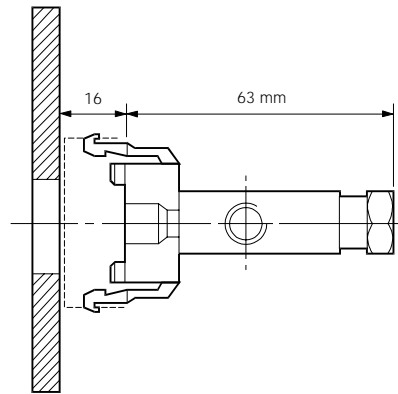


Facia actuators Ø22mm, G¹/₈ 3/2 - 5/2

The system



Dimensions (mm)



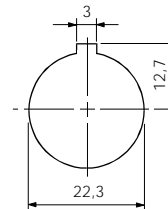
Basic valve with adaptor

Part no.	Type	Symbol
B43603-100A	3/2	

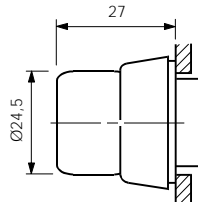
Mounting

Assembly is simple; the actuators fit into the holder/panel mounting clamp with bayonet fixing. The panel mounting screws may then be tightened up to the panel as required and the valve body assembly clipped on. No seals or special tools are required, interchanging actuators or valve body assemblies is equally simple.

Ø22mm



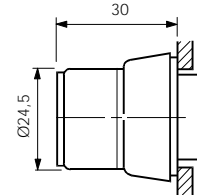
Latching trust button



Latching trust button

Colour	
White	33000-100UFS
Blue	33000-100UFXS

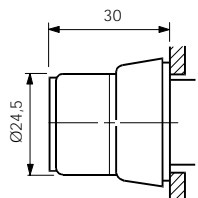
Key switch-latching



Key switch-latching

Locked position	Withdrawal position	
In or out	Either	33000-100KAS
In	Un-locked	33000-100KBS
Out	Locked	33000-100KCS

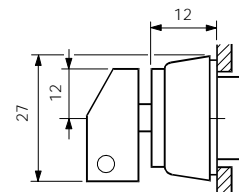
Key switch non-latching



Key switch non-latching

Locked position	Withdrawal position	
Out	Un-locked	33000-100KDS
In	Locked	33000-100KES

Key switch 'stay-put'

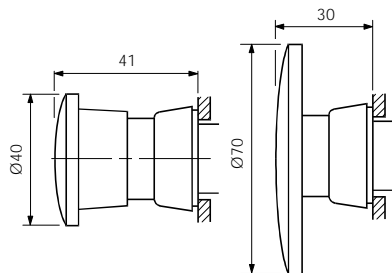


Key switch 'stay-put'

Withdrawal position	
Either	33000-100KFS

Facia actuators Ø22mm, G¹/₈ 3/2 - 5/2

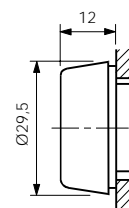
Emergency buttons



Emergency button

Colour	Type
Red	33000-100BEYS Ø40 Mushroom, key release
Red	33000-100BGYS Ø40 Mushroom latching
Red	33000-100BPYS Raised latching button
Red	33000-100BRYS Ø70 Mushroom latching

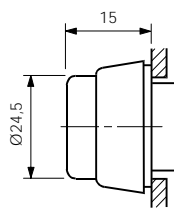
Flush push button



Flush push button

Colour	Type
Yellow	33000-100BATS
Blue	33000-100BAUS
White	33000-100BAWS
Black	33000-100BAXS
Red	33000-100BAYS
Green	33000-100BAZS

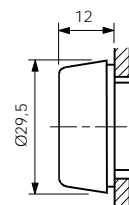
Raised push button



Raised push button

Colour	Type
Yellow	33000-100BBTS
Blue	33000-100BBUS
Black	33000-100BBXS
Red	33000-100BBYS

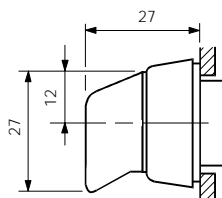
Push button with boot



Push button with boot

Colour	Type
Yellow	33000-100BCTS
Blue	33000-100BCUS
White	33000-100BCWS
Black	33000-100BCXS
Red	33000-100BCYS
Green	33000-100BCZS

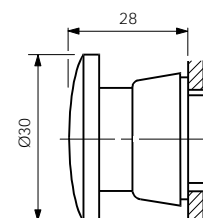
Latching and Non latching selector knob



Latching Non latching

Colour	Latching	Non latching
White	33000-100UAWS	33000-100UBWS
Black	33000-100UAXS	33000-100UBXS
Red	33000-100UAYS	33000-100UBYS
Green	33000-100UAZS	33000-100UBZS

Ø30mm Mushroom button



Ø30mm Mushroom button

Colour	Type
White	33000-100BDTS
Black	33000-100BDXS
Red	33000-100BDYS
Green	33000-100BDZS