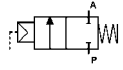


## 2/2 WAY COMPACT PISTON VALVE G 3/8" ÷ 1/2"; BRASS

Piston valve with external pneumatic actuation, compact and of solid construction. Suitable for neutral media with particles in suspension, a situation where a standard servoassisted solenoid valve may get clogged.



normally closed

**TYPE: BLG**

### TECHNICAL SPECIFICATIONS

Media: water, air

Media temperature: -10°C ÷ +90°C

Ambient temperature: -10°C ÷ +60°C

Pilot media: air, inert gases

Actuator body material: brass (CW617N EN 12165 : 1999)

Plug material: brass (CW617N EN 12165 : 1999)

Body material: brass (CW617N EN 12165 : 1999)

Stem material: AISI 303

Seal material: NBR

### BENEFITS

Waterhammer-free design (flow direction 2 → 1)

To be fitted with banjo bolt pilot solenoid valve (B356CVCMK)

### OPTIONS

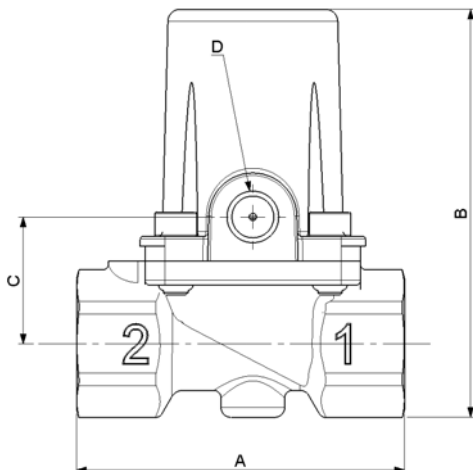
NPT connection (Ex. Code BLN205DBW00)

Electroless nickel plating treatment (Ex. Code BLG205DBW0K)



### SELECTION TABLE

VALVE	connection	DN	flow rate Kv	working pressure		flow direction (2 → 1)	pilot pressure		actuator Ø
				min (bar)	max (bar)		min (bar)	max (bar)	
Code	(ISO 228 G)	(mm)	(l/min)						(mm)
BLG204DBW00	3/8"	13,5	60	0	10	under seat	4,5	10	32
BLG205DBW00	1/2"	13,5	70	0	10	under seat	4,5	10	32



### DIMENSIONS & WEIGHT

connection	A	B	C	D	weight
(ISO 228 G)	(mm)	(mm)	(mm)	(ISO 228 G)	(kg)
3/8"	67	84	26	1/8"	0,55
1/2"	67	84	26	1/8"	0,52