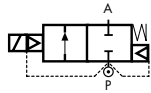


## 2/2 WAY PILOT OPERATED SOLENOID VALVE, G 3/8" ÷ G 1"



normally closed

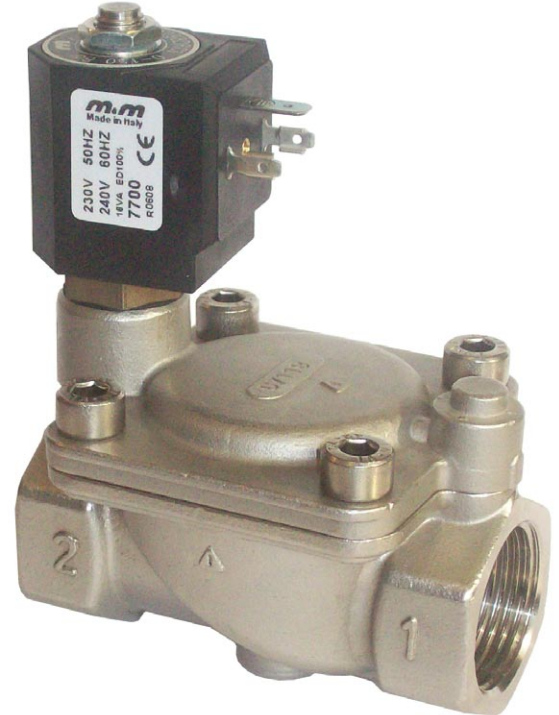
TYPE: D204/205/206/222

### TECHNICAL SPECIFICATIONS

Media: water, oil, air
Media temperature: -10°C ÷ +130°C
Ambient temperature: -10°C ÷ +50°C
Body material: AISI 316L (ASME SA351/351M GRADE CF3M)
Operator material: stainless steel
Operator seal material: FKM
Seamless tube as standard, suitable for steam
Seal and diaphragm material: FKM
Silver shading ring
Coil power: AC 18VA (holding) AC 36VA (inrush) DC 14W
Protection class: IP 65 (with connector)

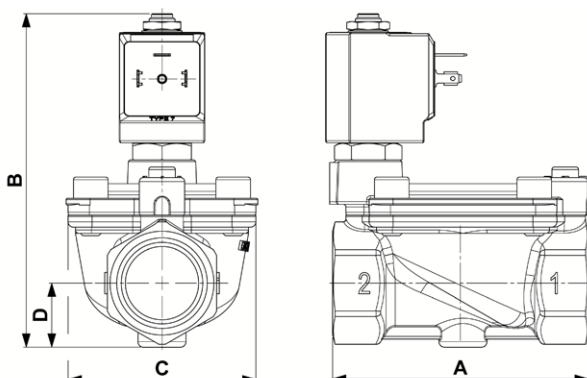
### OPTIONS

Normally open (E. g. code RD205DVZI)
Manual override (E. g. code D205DBZIM)
EPDM seal for air and hot water MAX 120° C (E. g. code D204DEZI)
NBR seal for air, water, oil MAX 90° C (E. g. code D206DBYI)
NPT connection available on request; please contact M&M Sales Dept. for details
Coil with insulation class "H" (E. g. code 7251)
UL coil on request (E. g. code 770R)



SELECTION TABLE

VALVE	G connection	nominal diameter	flow rate kvs	min	OPD max		COILS	
					AC [bar]	DC [bar]	Code	[Volts/Hz]
Code	[ISO 228]	[mm]	[l/min]	[bar]				
<b>D204DVZI</b>	3/8"	13	55	0.3	16	16	7250	24V CC
<b>D205DVZI</b>	1/2"	13	63	0.3	16	16	7200	24V 50/60Hz
<b>D206DVYI</b>	3/4"	25	140	0.3	16	16	7400	110V 50Hz - 120V 60Hz
<b>D222DVYI</b>	1"	25	216	0.3	16	16	7600	200V 50Hz - 220V 60Hz
							7700	230V 50Hz - 240V 60Hz



DIMENSIONS & WEIGHTS

G connection	A	B	C	D	weight
[ISO 228]	[mm]	[mm]	[mm]	[mm]	[kg]
3/8"	67	102	44.2	15	0.49
1/2"	67	102	44.2	15	0.49
3/4"	96	125.1	70.5	24	1.1
1"	96	125.1	70.5	24	1.1