



Steckverschraubungen

Push-in fittings

Raccordi automatici

Raccords instantanés





Steckverschraubungen

Push-in fittings

Raccordi automatici

Raccords instantanés

Druckring aus Kunststoff Hostaform

Thrust ring
Anello spingitore
Bague poussoir

O-Ringe aus NBR silikonfrei

Silicone-free NBR O-Ring
O-R in NBR priva di silicone
Bague O R en NBR sans silicone

Spiegelfläche passend für alle gängigen Ventile und Zylinder

Exact valve and cylinder spot-facing surfaces

Superficie a misura delle lamature di valvole a cilindri.

Si ge du raccord usiné pour assemblage sur vernis ou distributeurs araudage lamé.

O-Ringabdichtung in Dichtkehle

Gewährleistet eine sichere

Abdichtung auch bei rauen Oberflächen

O-Rings seals with own seat. Improved seal even with unpolished surfaces.

Tenuta con O-R fornito di propria sede.

Facilitata l'ermeticità anche con superfici non levigate.

Étanchéité avec O R avec son siege.

Étanchéité parfaite m me avec des surfaces non usinées.

Spannzange aus Edelstahl

Sichert einen festen Halt des Rohres, ermöglicht ein kompaktes Gehäuse.

Stainless steel clamp.

Permanent pipe seal guaranteed.

Fitting dimensions reduced to a minimum.

Pinza in acciaio inox.

Garantita la tenuta stabile del tubo.

Ridotti al minimo gli ingombri del raccordo.

Pince elastique en acier inox.

Étanchéité du tube garantie.

Encombrement réduit du raccord.

Gehäuse aus Messing

Oberfläche vernickelt

Nickel-plated brass body

Corpo di ottone nickelato

Corps en laiton nickelé

Gewinde von M5 bis G1/2

Threading from M5 to G1/2"

Filittatura da M5 a G1/2"

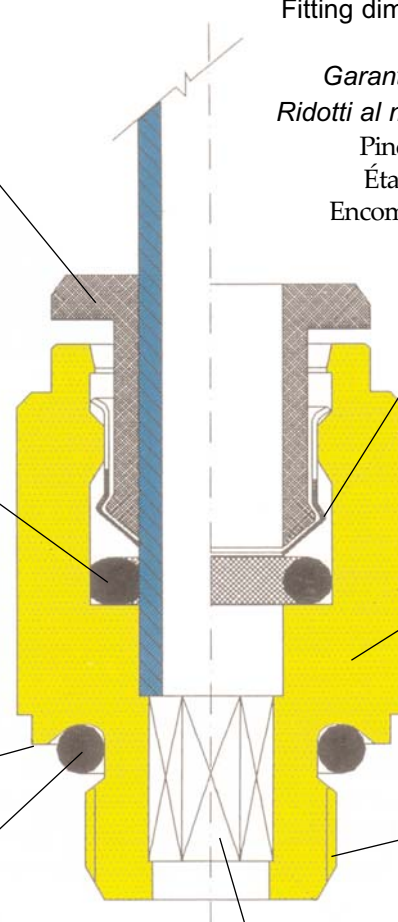
Filetage de M5 G1/2

Innensechskant für leichte Montage bei beengten Platzverhältnissen

Internal hexagon to facilitate assembly in limited spaces.

Esagono interno, facilitato il montaggio con spazi esigui

Montage facile dans des espaces réduits grâce aux 6 pans intérieurs sur les piquages droits





Technische Daten

Betriebstemperatur : -20°C +70°C
 Betriebsdruck : max.16bar bei 20°C
 Medium : Druckluft (andere Medien auf Anfrage)
 Vakuum : max.98%
 Werkstoff : Gehäuse aus Ms58, vernickelt
 : Dichtungen aus NBR silikonfrei
 : Spannzange aus Edelstahl AISI316
 : Druckring aus HOSTAFORM (Farbe Schwarz)
 Gewinde : zylindrisch BSPP mit O-Ringabdichtung

Hauptmerkmale

1. Voller Durchgang
2. Spezialspannzange mit doppelter Wirkung für die Verblockung des Schlauches.
3. Befestigen und Lösen des Schlauches mit einem Handgriff.
4. Geeignet für Schläuche verschiedener Materialien (PA,PU,Teflon usw.)
5. Kleine Baugröße.
6. Geringes Gewicht.
7. Modularer Aufbau gewährleistet auch komplizierte Verschlauchungen.
8. Hohlkehle mit O-Ring am Gewinde gewährleistet eine dichte Verbindung auch bei rauen Oberflächen.

Toleranz für Polyamid-Schlauch PA11/12

Rohr-Außen-Ø	Toleranz des Außen-Ø	
4 - 8mm	+0,1	-0,1
10 - 22mm	+0,15	-0,15

Toleranz für Polyamid-Schlauch PU

Rohr-Außen-Ø	Toleranz des Außen-Ø	
4 - 8mm	+0,1	-0,1
10 - 14mm	+0,15	-0,1



Technical data

Working temperature : -20°C +70°C
 Working pressure : max.16bar at 20°C
 Fluid : Compressed air (other fluids on request)
 Vacuum : max.98%
 Material : 58 nickel-plated brass
 : Silicone-free NBR gaskets
 : AISI 316 stainless steel clamp
 : Black Thrust Ring
 Threading : parallel BSPP with O-Ring

Main features:

1. Full flow
2. Special dual-acting pipe clamp
3. Can be inserted and extracted with one hand
4. Suitable for many types of pipes (PA,PU,Teflon,etc.)
5. Supercompact
6. Extremely lightweight yet sturdy
7. Modular assembly for complex pipe systems
8. O-R provided with his own seat to ensure seal even with unpolished surfaces

Tolerances for PA11 and PA12 pipes (Polyamide)

Outside pipe diameter	Outside pipe diameter tolerance	
4 - 8mm	+0,1	-0,1
10 - 22mm	+0,15	-0,15

Tolerances for Polyurethane (PU) pipes

Outside pipe diameter	Outside pipe diameter tolerance	
4 - 8mm	+0,1	-0,1
10 - 14mm	+0,15	-0,1



Dati Tecnici

Temperatura di utilizzo : -20°C +70°C
 : max.16bar
 Fluido : Aria compressa (altri fluidi a richiesta)
 Vakuuum : max.98%
 Materiali : Corpo ottone nichelato OT58,Anello di sgancio nero
 : Guarnizioni NBR esenti da silicone
 : Molla in acciaio AISI 316
 Filettatura : Cilindrica BSPP con OR

Caratteristiche principali:

- 1.Passaggio pieno della portata
- 2.Doppio sistema di bloccaggio del tubo
- 3.Aggancio-sgancio automatico
- 4.Utilizzazione di vari tipi di tubo in plastica
- 5.Ingombri ridotti
- 6.Peso ridotto
- 7.Gamma modulareFilettatura
- 8.O-R sottotesta con sede adatta a superficie non levigate

Tolleranze ammesse nei tubi Poliammide PA11/12

Ø tubo esterior	Tolleranze sul Ø-esterno	
4 - 8mm	+0,1	-0,1
10 - 22mm	+0,15	-0,15

Tubi in Poliuretano (PU)

Ø tubo esterior	Tolleranze sul Ø-esterno	
4 - 8mm	+0,1	-0,1
10 -142mm	+0,15	-0,1



Données techniques

Température de service : -20°C +70°C
 : max16bar
 Fluide : Air comprimé (autres fluides sur demande)
 Vacuum : max.98%
 Matériaux : Corps en laiton 58,nichelé
 : Joints NBR sans silicone
 : Pince élastique
 : Bague poussoir noir
 Filetage : Cylindrique BSPP avec bague O-R

Caractéristiques principales:

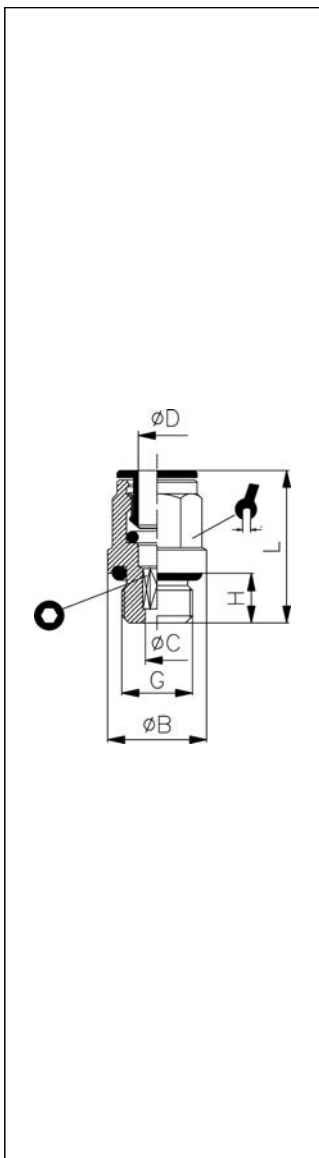
- 1.Passage intergral
- 2.Pince élastique fendue spéciale à double effet pour le blocage du tube
- 3.Emboîtement et extraction du tube avec une seule main
- 4.Indiqué pour plusieurs types de tube (PA,PU,Teflon,etc.)
- 5.Très compact, très solide
- 6.Extrêmement légère
- 7.Montage modulaire pour câblages complexes
- 8.Bague O-R avec son siège pour assurer une étanchéité parfaite même avec des surfaces non polies

Tolérances pour tubes PA11 et PA12 (Polyamide)

Diamètre extérieur du tube	Tolérance du diamètre extérieur du tube	
4 - 8mm	+0,1	-0,1
10 -22mm	+0,15	-0,15

Tolérances pour tubes en Polyurethane (PU)

Diamètre extérieur du tube	Tolérance du diamètre extérieur du tube	
4 - 8mm	+0,1	-0,1
10 -14mm	+0,15	-0,1



ipso 01

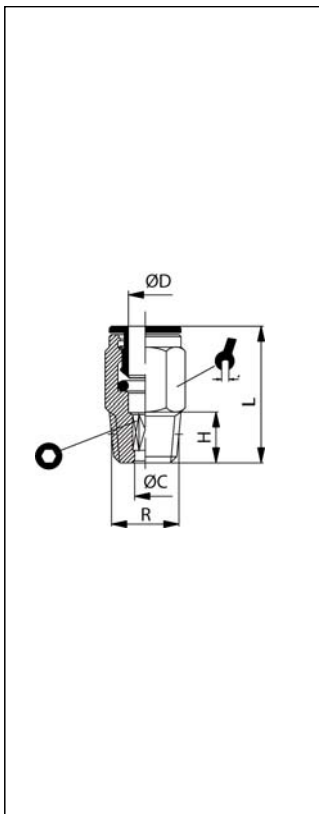
gerade Einschraubverschraubung

Straight male adaptor (parallel)

Diritto filetto cilindrico maschio con O-Ring

Piquage droit mâle cylindrique ipso

	ØD	G	ØC	ØB	H	L	⊙	⌘	Ⓜ
200125	3	M3	1,0	5,5	3,0	14,0	Ø5,5	1,5	50
200124	3	M5	1,9	8,0	4,0	14,5	Ø3	2,0	50
200101	4	M5	2,6	9,0	4,0	20,5	Ø9	2,5	50
200122	4	M6	2,6	9,0	5,0	20,5	Ø9	2,5	50
200121	4	M7	2,5	10,8	6,0	22,2	9	2,5	50
200127	4	M8	2,5	12,0	7,0	23,5	10	2,5	50
200102	4	G ^{1/8}	2,6	13,5	6,0	20,0	9	2,5	50
200103	4	G ^{1/4}	2,6	17,0	8,0	21,0	9	2,5	50
200104	5	M5	2,6	9,5	4,0	22,0	Ø9,5	2,5	50
200105	5	G ^{1/8}	4,2	13,5	6,0	22,0	10	4	50
200106	5	G ^{1/4}	4,2	17,0	8,0	22,0	10	4	50
200100	6	M5	2,6	10,5	4,0	22,5	Ø10,5	2,5	50
200128	6	M6	2,5	11,0	5,0	21,5	Ø11	2,5	50
200120	6	M7	3,5	10,5	6,0	22,0	Ø10,5	3,5	50
200107	6	G ^{1/8}	4,2	13,5	6,0	24,0	11	4	50
200108	6	G ^{1/4}	5,0	17,0	8,0	24,0	11	4	50
200118	6	G ^{3/8}	4,2	20,0	9,0	24,0	13	4	50
200109	8	G ^{1/8}	5,0	13,0	6,0	26,5	13	5	50
200110	8	G ^{1/4}	6,2	17,0	8,0	25,0	13	6	50
200111	8	G ^{3/8}	6,2	20,0	9,0	25,0	13	6	50
200133	8	G ^{1/2}	6,2	23,0	11,0	31,0	6	13	25
200129	10	G ^{1/8}	5,2	13,5	6,0	28,0	16	5	50
200112	10	G ^{1/4}	7,3	16,0	8,0	29,5	16	7	50
200113	10	G ^{3/8}	8,3	21,0	9,0	29,5	16	8	50
200135	10	G ^{1/2}	8,2	24,0	11,0	30,0	16	8	25
200119	12	G ^{1/4}	7,3	16,0	8,0	31,5	18	7	50
200114	12	G ^{3/8}	10,3	21,0	9,0	31,0	18	10	25
200115	12	G ^{1/2}	10,3	24,0	11,0	31,0	18	10	25
200116	14	G ^{3/8}	10,3	21,0	9,0	34,0	21	10	25
200117	14	G ^{1/2}	12,0	25,0	11,0	34,0	21	12	25



ipso 01K

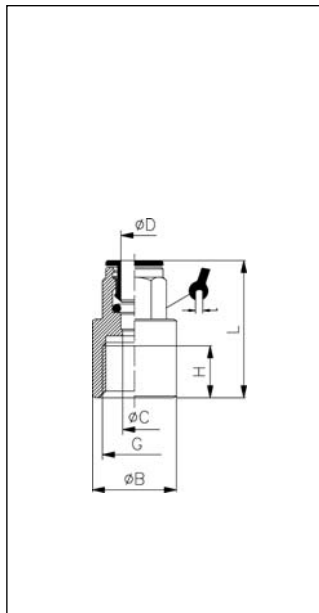
gerade Einschraubverschraubung konisch

Straight male adaptor (con)

Diritto filetto conico maschio

Piquage droit mâle con.

	ØD	G	ØC	H	L	⊙	⌘	Ⓜ
200141	4	M6	2,6	8,0	23,5	9	2,5	50
200142	4	M8	3,0	8,0	22,5	10	-	50
200143	4	M10	2,6	7,8	24,5	11	2,5	50
200152	4	R ^{1/8}	2,6	7,0	21,5	10	2,5	50
200153	4	R ^{1/4}	2,6	11,0	21,5	10	2,5	50
200144	6	M6	2,6	6,0	22,5	11	-	50
200154	6	R ^{1/8}	4,2	7,0	23,5	11	4	50
200155	6	R ^{1/4}	4,2	11,0	23,5	14	4	50
200156	8	R ^{1/8}	5,2	7,0	26,5	13	5	50
200157	8	R ^{1/4}	5,2	11,0	26,5	13	5	50
200158	8	R ^{3/8}	5,2	11,5	27,0	17	5	25
200159	10	R ^{1/4}	7,3	11,0	31,5	16	7	25
200160	10	R ^{3/8}	8,2	11,5	31,5	16	8	25



ipso 02

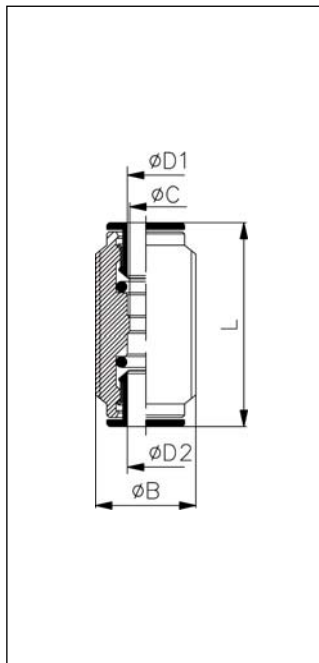
Manometerverschraubung

Straight female adaptor

Diritto femmina

Piquage droit femelle

	ØD	G	ØC	ØB	H	L		
200200	4	M5	3,0	SW9	5,0	21,5	9	50
200201	4	G ¹ / ₈	3,0	11,0	6,0	26,5	9	50
200202	4	G ¹ / ₄	3,0	16,0	13,0	29,5	9	50
200203	5	G ¹ / ₈	4,0	12,0	6,0	27,0	10	50
200204	5	G ¹ / ₄	4,0	16,0	13,0	30,0	10	50
200205	6	G ¹ / ₈	5,0	11,0	6,0	27,0	11	50
200206	6	G ¹ / ₄	5,0	16,0	13,0	31,0	11	50
200207	8	G ¹ / ₈	7,0	11,0	6,0	28,0	13	50
200208	8	G ¹ / ₄	7,0	16,0	13,0	32,0	13	50
200209	10	G ¹ / ₄	9,0	16,0	13,0	32,0	16	50
200210	10	G ³ / ₈	9,0	20,0	13,0	38,0	20	25



ipso 03

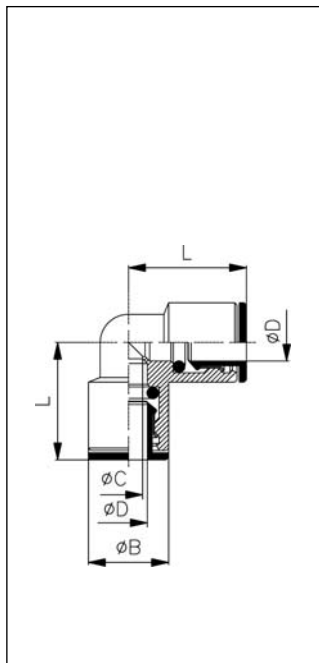
gerader Verbinder

Straight connector

Intermedio

Union double

	ØD1	ØD2	ØC	ØB	L	
200300	3	3	-	10	22,0	50
200301	4	4	3,0	10	32,0	50
200302	5	5	4,0	11	33,0	50
200303	6	6	5,0	14	33,5	50
200304	8	8	7,0	16	37,0	50
200305	10	10	9,0	17	39,5	50
200306	12	12	11,0	20	42,0	50
200307	14	14	12,0	22	45,0	50
Reduziert						
200308	6	4	3,0	11	33,5	50
200309	8	6	5,0	13	37,0	50
200310	10	8	7,0	16	39,5	50
200311	12	10	9,0	20	40,0	50
200312	14	12	11,0	22	43,0	50



ipso 04

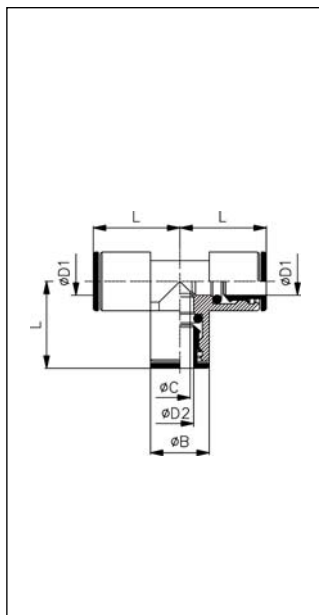
Winkelverbinder

Elbow connector

Gomito innestabile

Equerre égale

	ØD	ØC	ØB	L	
200400	3	-	7,0	13,0	50
200401	4	3,0	9,0	17,5	50
200402	5	4,0	9,5	19,0	50
200403	6	5,0	11,0	19,5	50
200404	8	7,0	13,0	23,0	50
200405	10	8,0	15,0	25,0	50
200406	12	10,0	17,0	27,0	50
200407	14	12,0	20,0	30,0	25



ipso 05

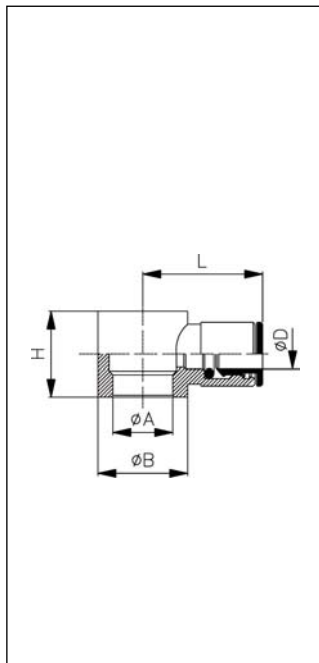
T-Verbinder

Tee connector

T innestabile

Té égal

	ØD1	ØD2	ØC	ØB	L	
200500	3	3	-	7,0	13,0	50
200501	4	4	3,0	9,0	17,5	50
200502	5	5	4,0	9,5	19,0	50
200503	6	6	5,0	11,0	19,5	50
200504	8	8	7,0	13,0	23,0	50
200505	10	10	8,0	15,0	25,0	20
200506	12	14	10,0	17,0	27,0	20
200507	14	14	12,0	20,0	30,0	20
Reduziert						
200508	6	4	3,0	11	19,5	50
200509	8	6	5,0	13	23,0	50
200510	10	8	7,0	15	25,0	20



ipso 013

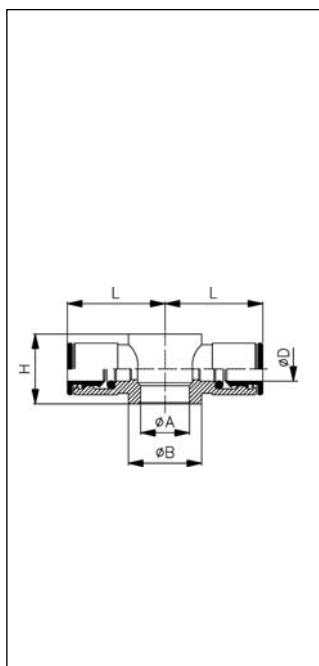
Ringstück 1-fach

Single banjo body

Anello semplice

Corps de banjo simple

	ØD	G	ØA	ØB	H	L	
201201	4	M5	5,0	SW9	9,0	19,0	50
201215	4	M6	6,0	SW9	9,0	19,0	50
201202	4	G ¹ / ₈	9,9	14	15,0	21,0	50
201203	5	G ¹ / ₈	5,0	SW9	9,0	19,0	50
201204	5	G ¹ / ₈	9,9	14	15,0	22,5	50
201213	6	G ¹ / ₈	5,1	SW9	10,5	19,0	50
201205	6	G ¹ / ₈	9,9	14	15,0	23,0	50
201206	6	G ¹ / ₄	13,3	18	17,0	24,0	50
201207	8	G ¹ / ₄	9,9	14	15,0	24,5	50
201208	8	G ¹ / ₄	13,3	18	17,0	26,0	50
201209	8	G ³ / ₈	16,6	21	20,0	28,0	50
201210	10	G ¹ / ₄	13,3	18	17,0	27,0	50
201211	10	G ³ / ₈	16,6	21	20,0	29,0	25
201214	12	G ¹ / ₄	13,3	18	17,0	28,0	25
201212	12	G ³ / ₈	16,6	21	20,0	30,0	25



ipso 014

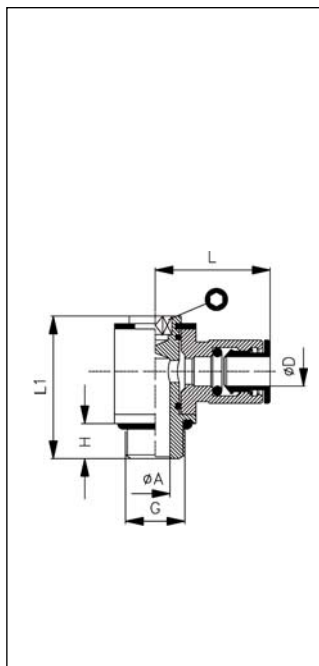
Ringstück 2-fach

Double banjo body

Anello doppio

Corps de banjo double

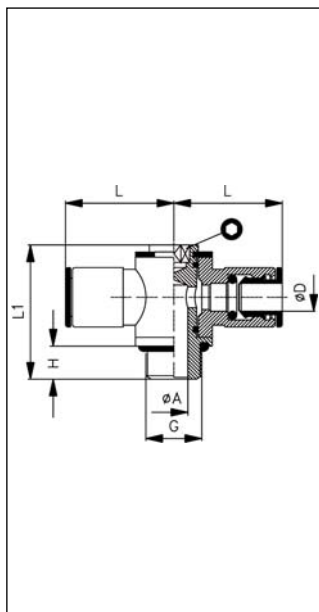
	ØD	G	ØA	ØB	H	L	
201301	4	M5	5,0	7	9,0	18,5	50
201302	4	G ¹ / ₈	9,9	14	15,0	21,0	50
201303	5	M5	5,0	7	9,5	19,5	50
201304	5	G ¹ / ₈	9,9	14	15,0	22,5	50
201305	6	G ¹ / ₈	9,9	14	15,0	23,0	50
201306	6	G ¹ / ₄	13,3	18	17,0	24,0	50
201307	8	G ¹ / ₈	9,9	14	15,0	24,5	50
201308	8	G ¹ / ₄	13,3	18	17,0	26,0	50
201309	8	G ³ / ₈	16,6	21	20,0	28,0	50
201310	10	G ¹ / ₄	13,3	18	17,0	27,0	50
201311	10	G ³ / ₈	16,6	21	20,0	29,0	25
201312	12	G ³ / ₈	16,6	21	20,0	30,0	25



ipso 015

Winkeleinschraubverschraubung 360° drehbar
 Complete single banjo (rotating under pressure) 360°
 Asta con filetto maschio cilindrico in anello semplice 360°
 Banjo simple orientable 360°

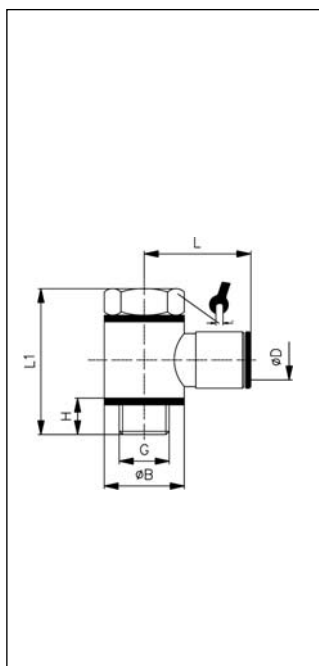
	ØD	G	ØA	H	L1	L	○	■
201415	3	M3	-	-	14,0	14,0	2	50
201416	3	M5	-	-	15,0	14,0	2	50
201401	4	M6	2	4	17,0	18,5	2	50
201402	4	G ^{1/8}	5,5	6	25,0	21,0	3	50
201403	5	M5	2	4	17,0	19,5	2	50
201404	5	G ^{1/8}	5,5	6	25,0	22,5	3	50
201405	6	G ^{1/8}	5,5	6	25,0	23,5	3	50
201406	8	G ^{1/8}	5,5	6	25,0	24,5	3	50
201407	6	G ^{1/4}	7,8	8	29,3	24,5	4	50
201408	8	G ^{1/4}	7,8	8	29,3	26,0	4	50
201409	10	G ^{1/4}	7,8	8	29,3	27,0	4	25
201410	8	G ^{3/8}	10,0	9	34,0	29,0	5	25
201411	10	G ^{3/8}	10,0	9	34,0	29,0	5	25
201414	12	G ^{1/4}	7,8	8	29,3	28,0	4	25
201412	12	G ^{3/8}	10,0	9	34,0	29,0	5	25



ipso 016

T-Einschraubverschraubung 360° drehbar
 Complete double banjo (rotating under pressure) 360°
 Asta con filetto maschio cilindrico in anello doppio 360°
 Banjo double orientable 360°

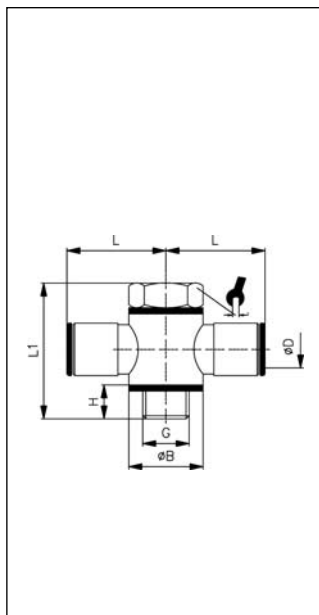
	ØD	G	ØA	H	L1	L	○	■
201501	4	M5	2,0	4	17,0	18,5	2	50
201502	4	G ^{1/8}	5,5	6	25,0	21,0	3	50
201503	5	M5	2,0	4	17,0	19,5	2	50
201504	5	G ^{1/8}	5,5	6	25,0	22,5	3	50
201505	6	G ^{1/8}	5,5	6	25,0	23,0	3	50
201506	8	G ^{1/8}	5,5	6	25,0	24,0	3	50
201507	6	G ^{1/4}	7,8	8	29,3	24,0	4	50
201508	8	G ^{1/4}	7,8	8	29,3	26,0	4	50
201509	10	G ^{1/4}	7,8	8	29,3	27,0	4	25
201510	8	G ^{3/8}	10,0	9	34,0	28,0	5	25
201511	10	G ^{3/8}	10,0	9	34,0	29,0	5	25
201512	12	G ^{3/8}	10,0	9	34,0	30,0	5	25



ipso 017

Winkelschwenkverschraubung
 Complete single swivel banjo
 Orientabile semplice asta con filetto cilindrico
 Vis + corps de banjo simple

	ØD	G	ØB	H	L1	L	○	■
S11201	4	M5	SW9	4,05	17,5	18,5	8	50
S11215	4	M6	SW9	4,5	18,0	21,0	9	50
S11202	4	G ^{1/8}	14	7,5	28,0	21,0	14	50
S11203	5	M5	SW9	4,5	17,5	19,5	87	50
S11204	5	G ^{1/8}	14	7,5	28,0	22,5	14	50
S11213	6	M5	SW9	4,5	17,5	19,0	8	50
S11205	6	G ^{1/8}	14	7,5	28,0	22,5	14	50
S11206	6	G ^{1/4}	18	9,0	33,0	24,0	17	50
S11207	8	G ^{1/8}	14	7,5	28,0	24,5	14	25
S11208	8	G ^{1/4}	18	9,0	33,0	26,0	17	25
S11209	8	G ^{3/8}	21	10,0	37,0	28,0	22	25
S11210	10	G ^{1/4}	18	9,0	33,0	27,0	17	25
S11211	10	G ^{3/8}	21	10,0	37,0	29,0	22	25
S11214	12	G ^{1/4}	18	9,0	33,0	28,0	17	25
S11212	12	G ^{3/8}	21	10,0	37,0	30,0	22	10



ipso 018

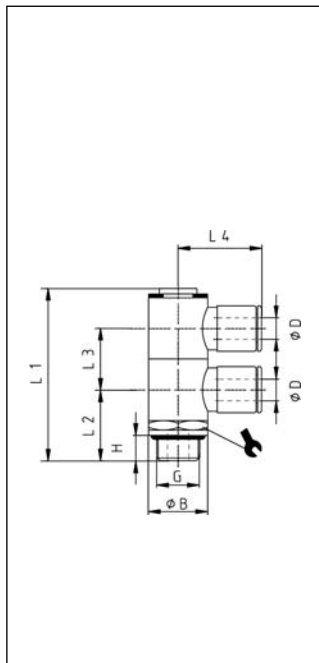
T-Schwenkverschraubung

Complete double swivel banjo

Orientabile doppio asta con filetto cilindrico

Vis + corps de banjo double

	ØD	G	ØB	H	L1	L		
S11301	4	M5	7	4,5	17,5	18,5	8	50
S11302	4	G ¹ / ₈	14	7,5	28,0	21,0	14	50
S11303	5	M5	7	4,5	17,5	19,5	8	50
S11304	5	G ¹ / ₈	14	7,5	28,0	22,5	14	50
S11305	6	G ¹ / ₈	14	7,5	28,0	22,5	14	50
S11306	6	G ¹ / ₄	18	9,0	33,0	24,0	17	50
S11307	8	G ¹ / ₈	14	7,5	28,0	24,5	14	25
S11308	8	G ¹ / ₄	18	9,0	33,0	26,0	17	25
S11309	8	G ³ / ₈	21	10,0	37,0	28,0	22	25
S11310	10	G ¹ / ₄	18	9,0	33,0	27,0	17	25
S11311	10	G ³ / ₈	21	10,0	37,0	29,0	22	25
S11312	12	G ³ / ₈	21	10,0	37,0	30,0	22	10



ipso 036

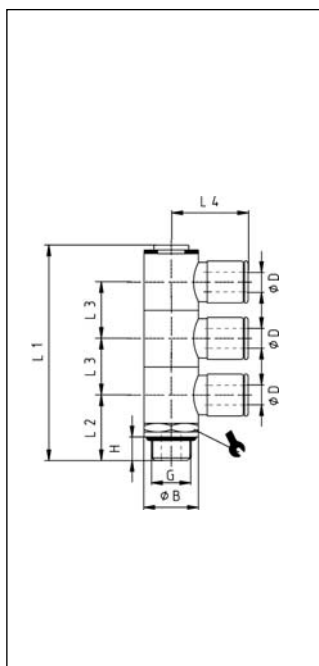
Winkeleinschraubverschraubung 2-fach 360° drehbar

Complete single banjo, doubled (rotating under pressure) 360°

Asta con filetto maschio cilindrico in anello doppio 360°

Banjo double orientable 360°

	ØD	G	ØB	H	L1	L2	L3	L4		
210422	4	G ¹ / ₈	13	6	44	19,0	15	21	14	25
201425	6	G ¹ / ₈	13	6	44	19,0	15	23	14	25
201427	8	G ¹ / ₈	13	6	44	19,0	15	24	14	25
201426	6	G ¹ / ₄	17	8	50	22,5	17	24	17	25
201428	8	G ¹ / ₄	17	8	50	22,5	17	26	17	10
201429	10	G ¹ / ₄	17	8	50	22,5	17	27	17	10
201424	12	G ¹ / ₄	17	8	50	22,5	17	28	17	10



ipso 037

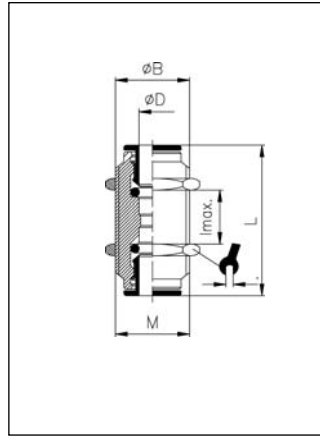
Winkeleinschraubverschraubung 3-fach 360° drehbar

Complete single banjo, trebled (rotating under pressure) 360°

Asta con filetto maschio cilindrico in anello triplo 360°

Banjo triple orientable 360°

	ØD	G	ØB	H	L1	L2	L3	L4		
210432	4	G ¹ / ₈	13	6	59	19,0	15	21	14	25
201435	6	G ¹ / ₈	13	6	59	19,0	15	23	14	25
201437	8	G ¹ / ₈	13	6	59	19,0	15	24	14	25
201436	6	G ¹ / ₄	17	8	67	22,5	17	24	17	25
201438	8	G ¹ / ₄	17	8	67	22,5	17	26	17	10
201439	10	G ¹ / ₄	17	8	67	22,5	17	27	17	10
201434	12	G ¹ / ₄	17	8	67	22,5	17	28	17	10



ipso 010

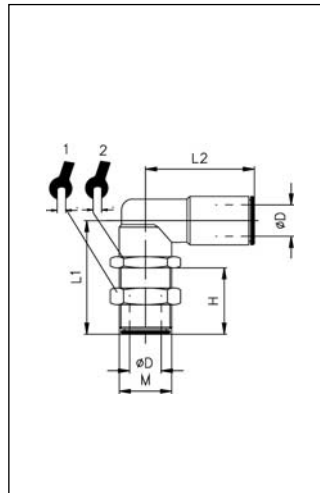
Schottverschraubung

Bulkhead connector

Passaparete

Traversée de cloison

	ϕD	ϕC	ϕC	l_{max}	L		
201101	4	3,0	M10x1	8	32,0	13	50
201102	5	4,0	M11x1	8	33,0	14	50
201103	6	5,0	M14x1	8	33,5	17	50
201104	8	7,0	M16x1	10	37,0	18	50
201105	10	9,0	M17x1	12	39,5	20	25
201106	12	11,0	M20x1	17	42,0	24	25
201107	14	12,0	M22x1	18	45,0	25	25



ipso 064

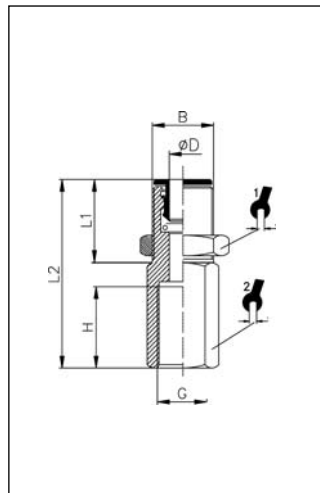
Winkel-Schottverschraubung

Bulkhead connector

Passaparete

Traversée de cloison

	ϕD	ϕC	H	L1	L2			
206401	4	M10x1	12,0	25,0	20,0	13	13	50
206403	6	M14x1	14,0	29,0	21,0	17	17	50
206404	8	M16x1	16,5	27,5	23,0	18	18	50
206405	10	M17x1	18,5	29,5	25,5	20	20	50



ipso 025

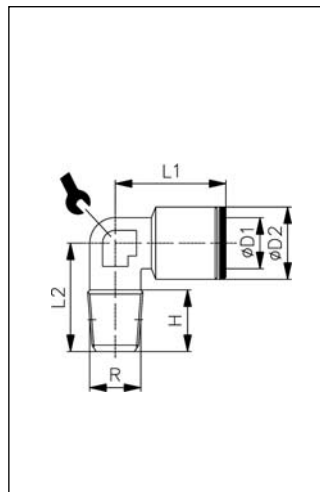
Manometer-Schottverschraubung

Straight female adaptor (special)

Raccordo diritto femmina (speciale)

Traversée de cloison piquage femelle

	ϕD	G	B	H	L1	L2			
202502	4	G ^{1/8}	M10x1	9,5	16	30	14	17	50
202504	6	G ^{1/8}	M14x1	9,5	16	31	17	17	50
202505	6	G ^{1/4}	M14x1	13,5	16	35	17	17	50
202506	8	G ^{1/8}	M14x1	6,5	13	26	19	17	50
202507	8	G ^{1/4}	M16x1	13,5	16	36	19	17	50



ipso 019

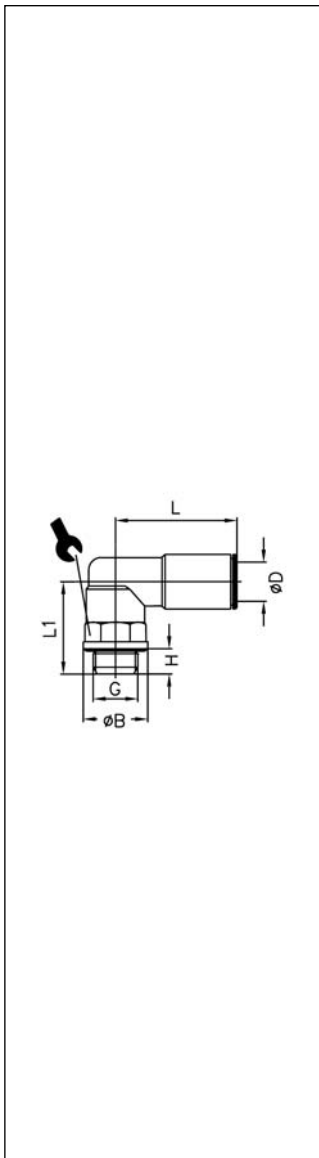
Winkeleinschraub konisch

Threaded elbow conical

Gomiro filettato conico

Raccord filetage conique

	ϕD	R	$\phi D2$	H	L1	L2		
201901	4	1/8	13	8,0	16,1	17,5	10	50
201902	5	1/8	13	9,0	18,0	16,5	10	50
201903	6	1/8	13	8,0	20,0	17,5	10	50
201904	6	1/4	17	12,0	23,0	22,0	12	50
201905	8	1/8	17	9,0	24,0	18,5	10	25
201906	8	1/4	17	12,0	24,0	22,0	12	25
201907	10	1/4	17	12,0	24,0	22,0	14	25



ipso 022

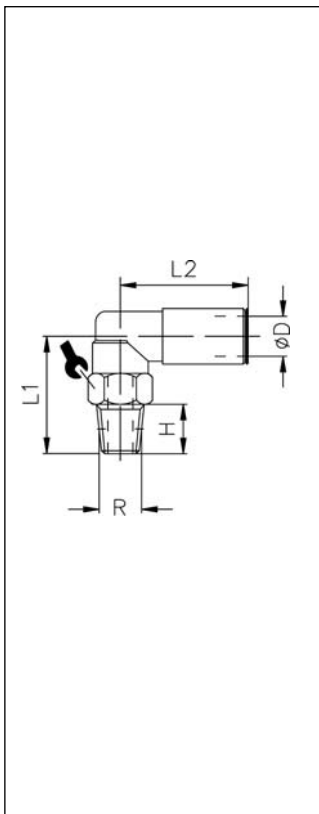
Winkelverschraubung drehbar

Rotary elbow male adaptor parallel

Gomito girevole filetto cilindrico maschio con O-Ring

Equerre piquage mâle orientable cylindrique

	ØD	G	ØB	H	L	L1		
202219	4	M6	9,0	5,0	18,0	15,5	9	100
202218	6	M12x1,25	16,0	8,0	19,0	25,0	13	100
202222	6	M12x1,5	16,0	8,0	19,0	25,0	13	100
202200	4	M5	8,0	4,0	19,0	14,5	9	100
202216	4	M7	10,0	6,0	18,0	16,5	9	100
202201	4	G ¹ / ₈	13,0	8,0	19,0	20,0	13	100
202202	4	G ¹ / ₄	16,0	1,0	19,0	24,0	14	100
202227	5	M5	8,0	6,0	19,5	14,5	9	100
202228	5	G ¹ / ₈	13,0	8,0	20,0	20,0	13	100
202230	5	G ¹ / ₄	16,0	4,0	20,0	21,0	16	100
202215	6	M5	8,0	5,0	21,0	14,5	9	100
202225	6	M6	9,0	6,0	19,5	15,5	9	100
202217	6	M7	10,0	6,0	19,5	16,5	9	100
202203	6	G ¹ / ₈	13,0	6,0	21,0	20,0	13	100
202204	6	G ¹ / ₄	16,0	8,0	21,0	24,0	13	100
202205	8	G ¹ / ₈	13,0	6,0	24,0	20,0	13	100
202206	8	G ¹ / ₄	16,0	8,0	24,0	24,0	13	100
202207	8	G ³ / ₈	20,0	9,0	24,0	25,5	13	50
202208	10	G ¹ / ₄	16,0	8,0	27,0	24,0	14	50
202209	10	G ³ / ₈	20,0	9,0	27,0	28,0	16	50
202224	10	G ¹ / ₂	25,0	11,0	27,0	30,0	16	25
202210	12	G ¹ / ₄	16,0	8,0	28,0	27,5	20	50
202211	12	G ³ / ₈	20,0	9,0	28,0	28,5	20	25
202212	12	G ¹ / ₂	25,0	11,0	28,0	33,5	20	25
202213	14	G ³ / ₈	20,0	9,0	31,0	28,5	20	25
202214	14	G ¹ / ₂	25,0	11,0	31,0	33,5	20	25



ipso 022 kegl.

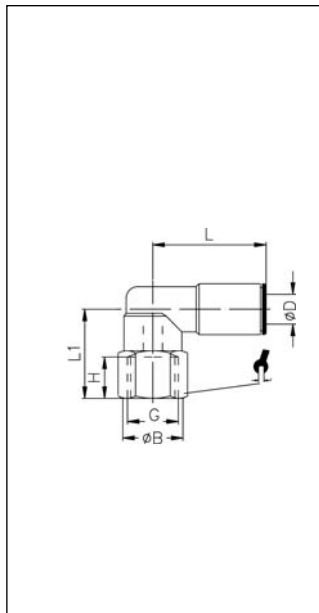
Winkelverschraubung drehbar

Rotary elbow male adaptor con.

Gomito girevole filetto conico maschio

Equerre piquage mâle orientable conique

	ØD1	R	L1	L2	H		
202251	4	R ¹ / ₈	20,2	19,0	7,0	13	100
202252	4	R ¹ / ₄	25,0	19,0	11,0	14	100
202253	6	R ¹ / ₈	20,2	21,0	7,0	13	100
202254	6	R ¹ / ₄	25,2	21,0	11,0	14	100
202255	8	R ¹ / ₈	20,2	24,0	7,0	13	100
202256	8	R ¹ / ₄	25,0	24,0	11,0	14	100
202257	8	R ³ / ₈	28,0	24,0	11,0	18	50
202258	10	R ¹ / ₄	26,0	27,0	11,0	16	50
202259	10	R ³ / ₈	30,0	27,0	11,0	16	50
202260	12	R ³ / ₈	32,5	28,0	11,0	20	50
202261	12	R ¹ / ₂	35,5	28,0	14,0	22	50
202262	14	R ³ / ₈	32,5	31,0	11,0	20	50
202263	14	R ¹ / ₂	35,5	31,0	14,0	22	50



ipso 022/F

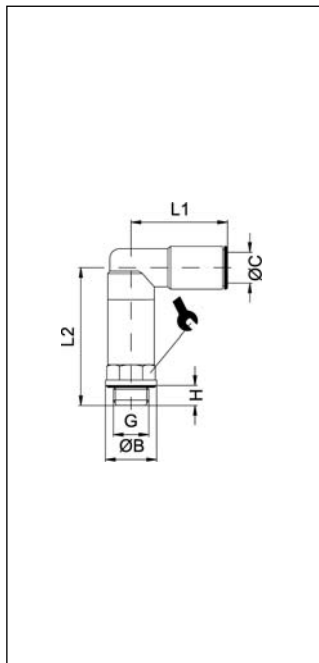
Drehbare Winkel-Aufschraubverschraubung

Rotary elbow fitting, female

Gomito femmina girevole

Raccord coude tournant femelle

	ØD	G	ØB	H	L	L1		
202801	4	G ¹ / ₈	13,0	7,5	19,0	19,0	13	100
202802	4	G ¹ / ₄	16,0	10,0	19,0	19,0	16	100
202803	6	G ¹ / ₈	13,0	7,5	21,0	22,0	13	50
202804	6	G ¹ / ₄	16,0	10,0	21,0	23,5	16	50
202805	8	G ¹ / ₈	13,0	7,5	24,0	23,5	13	50
202806	8	G ¹ / ₄	16,0	8,0	24,0	23,5	16	50



ipso 026

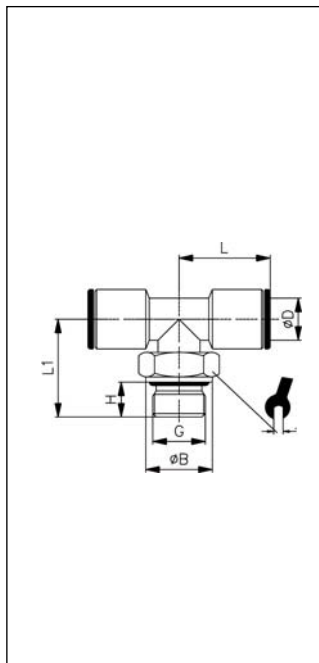
Winkelschraubverschraubung drehbar,lang

Rotary elbow male adaptor, long

Raccordo girevole maschio, lungo

Raccord orientable mâle, longue

	ØD1	G	ØB	H	L1	L2		
202600	4	M5	8	4	19,0	2,5	9	25
202601	4	G ¹ / ₈	12	6	19,0	33,0	13	25
202602	4	G ¹ / ₄	16	8	19,0	41,7	13	25
202615	6	M5	8	4	21,0	24,5	9	25
202603	6	G ¹ / ₈	13	6	21,0	37,0	13	25
202604	6	G ¹ / ₄	16	8	21,0	41,7	13	25
202605	8	G ¹ / ₈	13	6	22,5	33,0	13	10
202606	8	G ¹ / ₄	16	8	22,5	37,7	13	10
202607	8	G ³ / ₈	20	9	25,5	34,5	20	10
202608	10	G ¹ / ₄	16	8	24,0	37,0	16	10
202609	10	G ³ / ₈	20	9	28,0	38,0	20	10



ipso 020

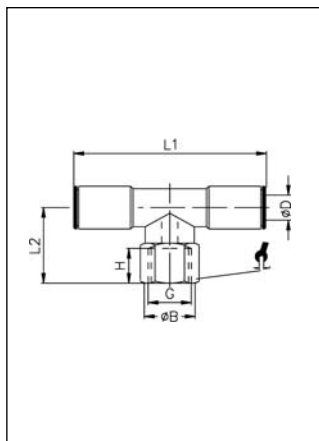
T-Verschraubung drehbar

Rotary tee parallel adaptor

Raccordo a T girevole

Té centre mâle orientable

	ØD1	G	ØB	H	L1	L2		
202000	4	M5	8,0	4,0	17,5	20,0	8	100
202001	4	G ¹ / ₈	13,0	6,0	17,5	18,5	13	100
202002	4	G ¹ / ₄	16,0	8,0	19,0	22,5	16	100
202003	6	G ¹ / ₈	13,0	6,0	21,0	18,5	13	100
202004	6	G ¹ / ₄	16,0	8,0	21,0	22,5	16	100
202005	8	G ¹ / ₈	13,0	6,0	23,0	20,5	13	100
202006	8	G ¹ / ₄	16,0	8,0	23,0	22,5	16	100
202007	8	G ³ / ₈	20,0	9,0	25,5	25,5	18	50
202008	10	G ¹ / ₄	16,0	8,0	25,5	24,5	16	50
202009	10	G ³ / ₈	20,0	9,0	25,5	25,5	18	50
202010	12	G ¹ / ₄	16,0	8,0	27,0	24,5	16	50
202011	12	G ³ / ₈	20,0	9,0	27,0	26,5	18	25
202012	14	G ¹ / ₂	25,0	11,0	31,0	30,0	21	25

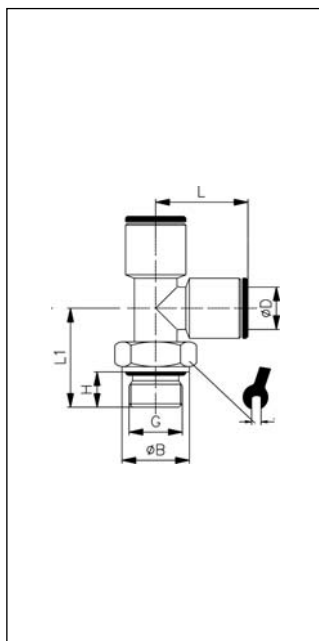


ipso 020-F

T-Verschraubung drehbar Innengewinde

Rotary tee fitting female
Raccordo a T girevole femmina
 Té centre mâle orientable femelle

	ØD1	G	ØB	H	L1	L2		
202901	4	G ¹ / ₈	12,8	7,0	35	18,0	13	100
202902	4	G ¹ / ₄	15,8	8,0	35	22,0	16	100
202903	6	G ¹ / ₈	12,8	7,0	42	18,0	13	50
202904	6	G ¹ / ₄	15,8	9,0	42	22,0	16	50
202905	8	G ¹ / ₈	12,8	7,0	46	18,0	13	50
202906	8	G ¹ / ₄	15,8	9,0	46	22,0	16	50

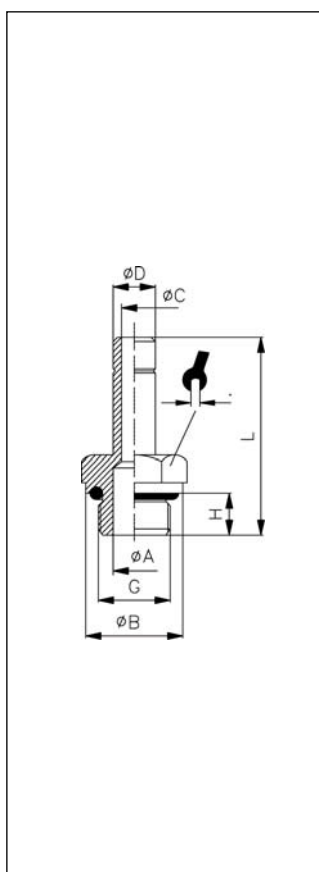


ipso 021

L-Verschraubung drehbar

Rotary parallel male L-adaptor
Raccordo a L- girevole
 L centre mâle orientable

	ØD	G	ØB	H	L	L1		
202100	4	M5	8,0	4,0	17,5	20,0	8	100
202101	4	G ¹ / ₈	13,0	6,0	17,5	18,5	13	100
202102	4	G ¹ / ₄	16,0	8,0	19,0	22,5	16	100
202103	6	G ¹ / ₈	13,0	6,0	19,5	18,5	13	100
202104	6	G ¹ / ₄	16,0	8,0	21,0	22,5	16	100
202105	8	G ¹ / ₈	13,0	6,0	23,0	20,5	13	100
202106	8	G ¹ / ₄	16,0	8,0	23,0	22,5	16	100
202107	8	G ³ / ₈	20,0	9,0	25,5	25,5	18	50
202108	10	G ¹ / ₄	16,0	8,0	25,5	24,5	16	50
202109	10	G ³ / ₈	20,0	9,0	25,5	25,5	18	50
202110	12	G ¹ / ₄	16,0	8,0	27,0	24,5	16	50
202111	12	G ³ / ₈	20,0	9,0	21,0	26,5	18	25
202112	14	G ¹ / ₂	25,0	11,0	31,0	30,5	21	25

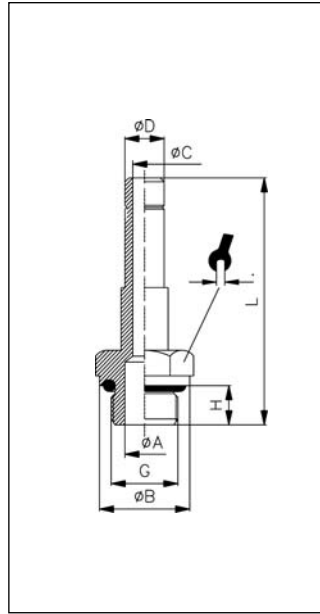


ipso 021

L-Verschraubung drehbar

Rotary parallel male L-adaptor
Raccordo a L- girevole
 L centre mâle orientable

	ØD	G	ØC	ØB	H	L	ØA		
200601	4	M5	2,0	8,0	4,0	24,5	2,0	8	50
200621	4	M7	2,0	-	6,0	26,0	4,0	10	50
200602	4	G ¹ / ₈	2,0	13,0	6,0	27,7	6,0	13	50
200603	4	G ¹ / ₄	2,0	16,0	8,0	30,2	7,5	13	50
200604	5	M5	2,6	8,0	4,0	25,0	2,6	8	50
200605	5	G ¹ / ₈	3,0	13,0	6,0	28,0	5,5	13	50
200606	5	G ¹ / ₄	3,0	16,0	8,0	31,0	7,5	13	50
200600	6	M5	2,6	8,0	4,0	26,0	2,6	8	50
200622	6	M7	4,0	-	6,0	28,0	4,0	10	50
200607	6	G ¹ / ₈	4,0	13,0	6,0	29,5	6,0	13	50
200608	6	G ¹ / ₄	4,0	16,0	8,0	32,0	7,5	13	50
200609	8	G ¹ / ₈	6,0	13,0	6,0	31,0	6,0	13	50
200610	8	G ¹ / ₄	6,0	16,0	8,0	33,5	7,5	13	50
200611	8	G ³ / ₈	6,0	20,0	9,0	35,5	9,0	13	50
200618	10	G ¹ / ₈	8,0	-	6,0	32,0	5,5	13	50
200612	10	G ¹ / ₄	8,0	17,0	8,0	38,0	8,0	13	50
200613	10	G ³ / ₈	8,0	20,0	9,0	41,0	8,0	13	50
200620	12	G ¹ / ₄	10,0	16,0	8,0	39,0	10,0	13	50
200614	12	G ³ / ₈	10,0	20,0	9,0	42,0	11,0	13	25
200615	12	G ¹ / ₂	10,0	24,0	11,0	44,0	13,0	16	25
200616	14	G ³ / ₈	12,0	20,0	9,0	44,0	12,0	16	25
200617	14	G ¹ / ₂	12,0	24,0	11,0	46,0	13,0	16	25



ipso 060

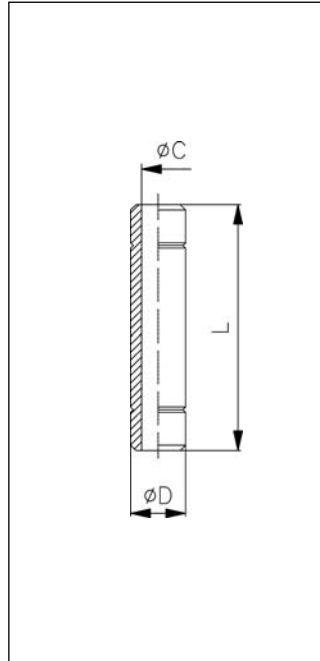
Gewindeanschluss-Stecker-lang kombinierbar mit ipso 04 und ipso 05

Adaptor parallel, long

Innesto prolungato filetto cilindrico con O Ring

Adapteur cylindrique longue

	ØD1	G	ØC	ØB	H	L		
206103	4	M7	2,0	-	6	38,0	10	50
206102	4	G ¹ / ₈	2,0	15,0	6	39,0	13	50
206104	6	M7	4,0	-	6	42,0	10	50
206107	6	G ¹ / ₈	4,0	13,0	6	42,2	13	50
206108	6	G ¹ / ₄	4,0	18,0	8	47,2	14	50
206109	8	G ¹ / ₈	6,0	15,0	6	46,7	13	50
206110	8	G ¹ / ₄	6,0	18,0	8	49,7	14	50
206112	10	G ¹ / ₄	8,0	18,0	8	55,5	14	50



ipso 07

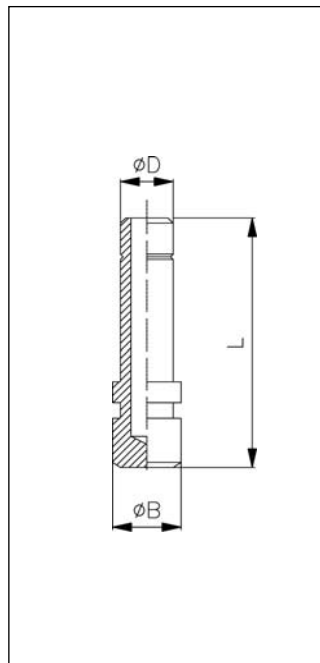
Doppelstecker

Double connector

Prolungamento

Union double mâle

	ØD	ØC	L	
200701	4	2,0	32,0	100
200702	5	3,0	33,0	50
200703	6	4,0	35,0	50
200704	8	6,0	38,0	50
200705	10	8,0	45,5	50
200706	12	10,0	48,0	50
200707	14	12,0	52,0	50



ipso 09

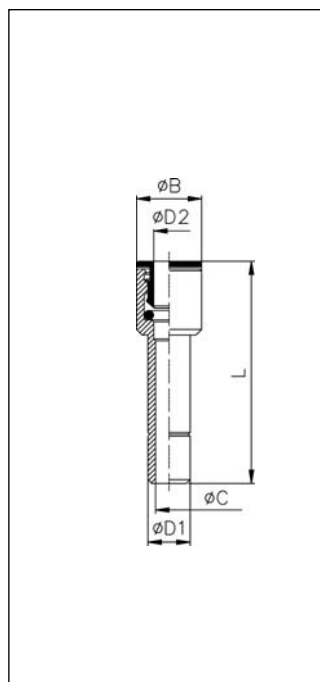
Verschluss-Stecker

Plug

Tappo

Bouchon

	ØD	ØB	L	
201001	4	5,0	25,5	50
201002	5	6,0	26,5	50
201003	6	7,0	27,5	50
201004	8	9,0	30,5	50
201005	10	11,0	35,5	50
201006	12	13,0	37,0	25
201007	14	15,0	40,0	25



ipso 08

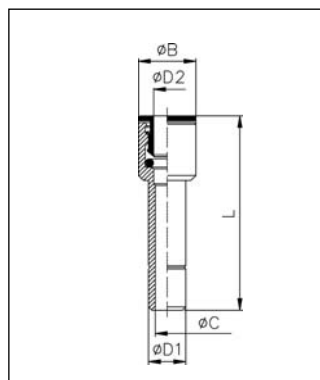
Reduzier-Stecker

Reducer

Riduzione

Réduction

	ØD1	ØD2	ØC	ØB	L	
200801	5	4	3,0	9,0		50
200802	6	4	3,0	9,0		50
200803	6	5	4,0	9,5		50
200804	8	4	3,0	9,0		50
200805	8	5	4,0	9,5		50
200806	8	6	5,0	10,5		50
200807	10	6	5,0	10,5		50
200808	10	8	7,0	13,0		50
200809	12	4	3,0	13,0		25
200810	12	6	5,0	13,0		25
200811	12	8	7,0	13,0		25
200817	12	10	9,0	15,0		25
200812	14	4	3,0	15,0		25
200813	14	6	8,0	15,0		25
200814	14	8	7,0	15,0		25
200815	14	10	9,0	15,0		25
200816	14	12	11,0	17,0		25



ipso 08/E

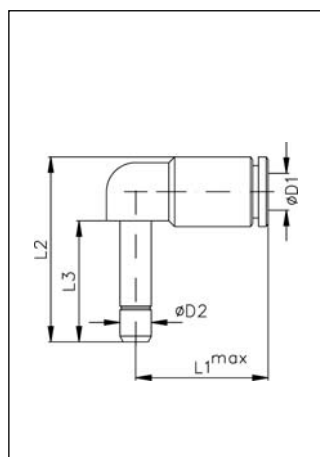
Erweiterung

Extension

Estensione

Extension

	ØD1	ØD2	ØC	ØB	L	
200901	4	6	2,0	10,5	33,5	50
200902	6	8	4,0	13,0	38,0	50



ipso 047

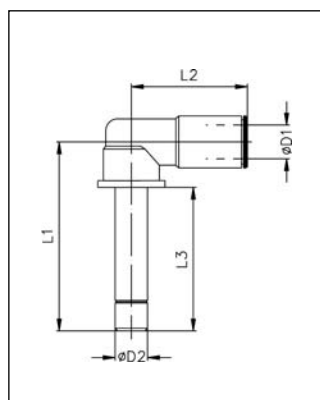
Winkelsteckanschluss

Elbow connector

Gomito innestabile

Equerre égale

	ØD1	ØD2	L1	L2	L3	
204701	4	4	18,0	24,0	15,5	50
204703	6	6	20,0	32,0	18,0	50
204704	8	8	24,0	38,5	19,5	50
204705	10	10	26,0	43,1	24,0	25
204706	12	12	28,0	48,5	25,0	25
Reduziert						
204707	6	4	20,0	32,0	15,5	25
204708	8	6	24,0	38,5	18,0	25



ipso 047-L

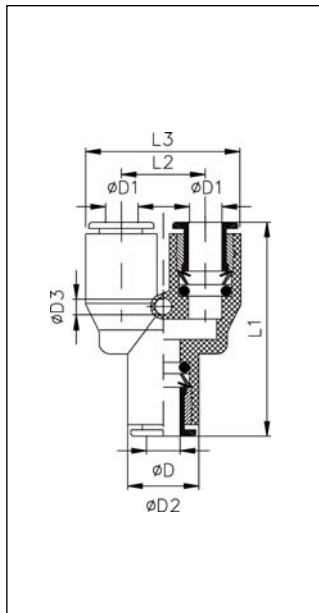
Winkelsteckanschluss lang

Elbow connector, long

Gomito innestabile, lungo

Equerre égale, longue

	ØD1	ØD2	L1	L2	L3	
204711	4	4	31,5	19,0	23,0	50
204713	6	6	43,0	21,0	32,0	50
204714	8	8	45,0	24,0	34,0	50
Reduziert						
204717	6	4	34,0	21,0	23,0	25
204718	8	6	43,0	24,0	32,0	25



ipso 023

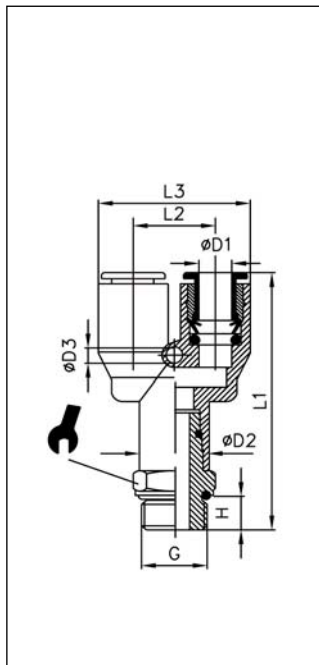
Y-Verbinder aus Kunststoff

Y-connection-plastic

Raccordo a Y- plastic

Raccord Y en plastique

	ØD	ØD1	ØD2	ØD3	L1	L2	L3	
202301	4	4	9,7	2,2	27	10,7	20,5	25
202303	6	6	12,5	3,2	34	13,0	25,0	25
202304	8	8	14,5	3,2	36	14,0	20,5	25
202305	10	10	16,0	3,2	39	19,0	35,0	10
202306	12	12	20,0	4,4	47	20,0	40,0	10
Reduziert								
202307	6	4	12,5	2,2	36	10,7	20,5	25
202308	8	6	14,5	3,2	40	13,0	25,0	10
202309	10	8	18,0	3,2	41	14,0	30,0	10



ipso 024

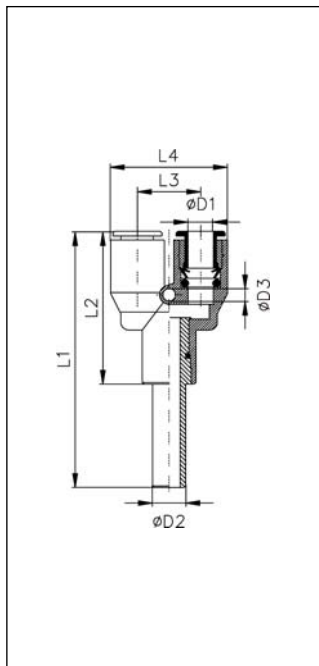
Y-Einschraubverschraubung aus Kunststoff

Y - Threaded connection - plastic

Raccordo a Y- FFM plastica

Raccord Y FMM en plastique

	ØD	ØD1	ØD2	ØD3	L1	L2	L3	H		
202400	4	M5	9,7	2,7	34	10,7	20,5	4,0	9	25
202401	4	G ^{1/8}	9,7	2,7	34	10,7	20,5	5,0	13	25
202402	4	G ^{1/4}	9,7	2,7	36	10,7	20,5	6,5	16	25
202403	6	G ^{1/8}	12,0	3,2	41	13,0	25,0	5,0	13	25
202404	6	G ^{1/4}	12,0	3,2	43	13,0	25,0	6,5	16	25
202405	8	G ^{1/8}	14,0	3,2	43	15,0	29,0	5,0	14	25
202406	8	G ^{1/4}	14,0	3,2	45	15,0	29,0	6,5	16	10
202407	8	G ^{3/8}	14,0	3,2	47	15,0	29,0	7,0	20	10



ipso 034

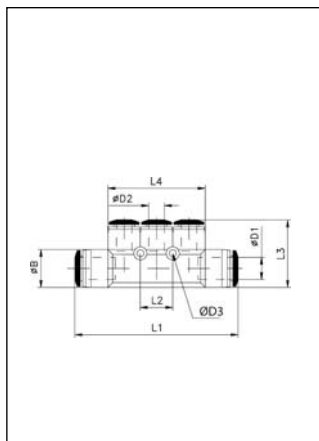
Y-Verteiler aus Kunststoff

Y - Connection - plastic

Raccordo a Y - plastica

Raccord Y en plastique

	ØD1	ØD2	ØD3	L1	L2	L3	L4	
203400	4	4	2,7	40	25	10,7	20,5	25
203403	6	6	3,2	50	32	13,0	25,0	10
203404	8	8	3,2	54	34	15,0	29,0	10
Reduziert								
203401	4	6	2,7	43	25	10,7	20,5	25
203402	4	8	2,7	45	25	10,7	20,5	25



ipso 062

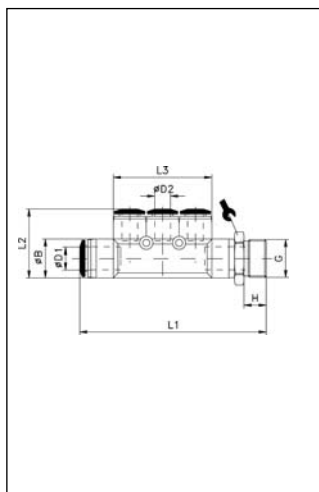
T-Mehrfachverteiler

Swivel tee parallel adaptor

Raccordo a T girevole

Té centre mâle orientable

	ØD1	ØD2	ØD3	ØB	L1	L2	L3	L4	
206201	6	4	3,2	13,0	60,2	11	26,1	33	50
206202	8	4	3,2	15,0	61,1	11	27,8	33	50
206203	8	6	3,2	15,0	66,4	13	29,0	39	25
206204	10	6	3,2	17,6	69,9	15	30,5	39	25
206205	10	8	3,2	17,6	75,2	15	31,4	45	25



ipso 063

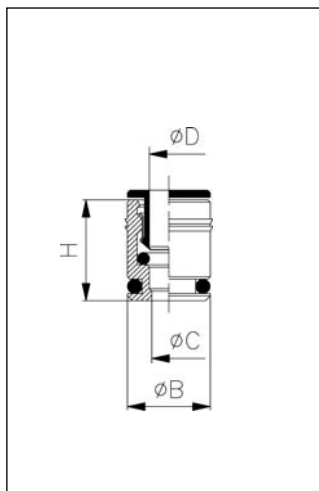
T-Mehrfachverteiler mit Gewinde

Swivel tee parallel adaptor

Raccordo a T girevole

Té centre mâle orientable

	ØD1	ØD2	G	ØB	L1	L2	L3	H	C	
206301	6	4	G ¹ / ₈	13,0	65,2	26,4	33	5,5	14	50
206302	8	4	G ¹ / ₄	15,0	67,9	28,1	33	7,0	17	50
206303	8	6	G ¹ / ₄	15,0	73,2	28,9	39	7,0	17	25
206304	10	8	G ³ / ₈	17,6	82,2	31,7	45	7,5	21	25



ipso 027

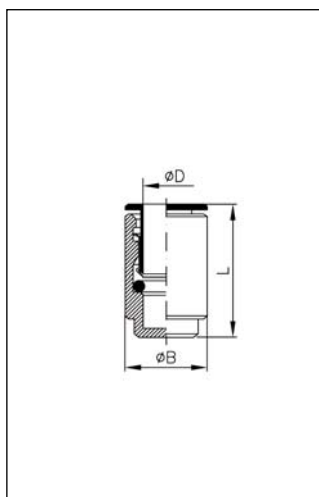
Einpress-Patrone

Cartridge for plastic

Cartuccia per corpo di plastica

Cartouche pour corps en plastique

	ØD	ØC	ØB	H	
202701	6	2,9	9,2	14,0	50
202703	8	5,0	11,2	14,5	50
202704	8	7,0	13,2	16,5	50
202705	10	9,0	15,0	18,5	50



ipso 044

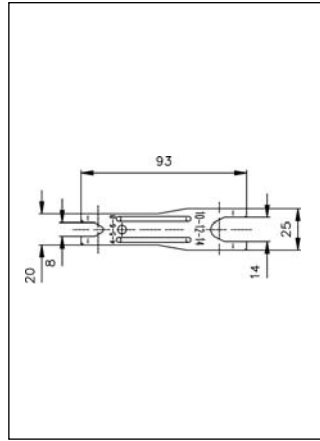
Schlauchverschluss

Plug

Tappo

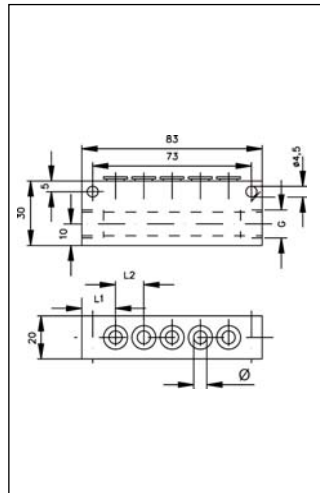
Bouchon

	ØD	ØB	L	
204401	4	9	13,5	50
204403	6	11	15,0	50
204404	8	13	17,5	50
204405	10	15	18,5	50
204406	12	17	19,2	25



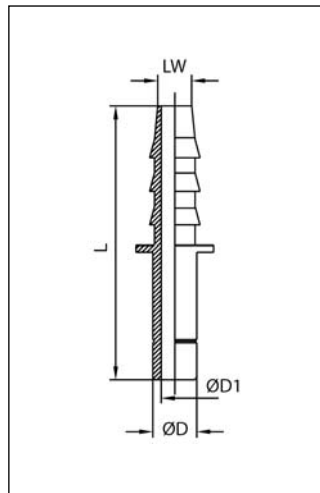
Lösewerkzeug
Disconnecting key
Disinnestatore
Clef de démontage

	ØD1	ØD2	L	
201701	8	14,0	93	10



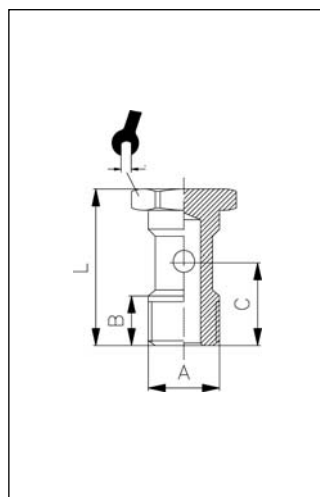
ipso 038
Mehrfach-Steckverteiler
Multi-Adapter
Adaptatore-multiplo
Adaptateur multiple

	ØD1	G	L1	L2	N	
203801	4	G ¹ / ₈	14,0	11,0	6	10
203802	6	G ¹ / ₄	15,5	13,0	5	10
203803	8	G ³ / ₈	17,5	16,0	4	10



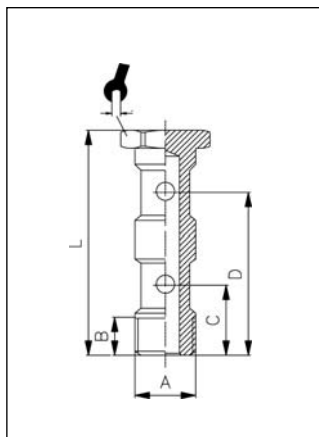
ipso 070
Schlauch-Stecker
Tube connector
Connettore per tubo
Connecteur pour tubes

	ØD	ØD1	LW	L	
207006	6	4	6	37	50
207007	8	6	6	38	50
207008	8	6	8	43	50
207010	12	10	13	57	25
207012	14	11	13	55	25



407
Hohlschraube 1-fach
Banjo stem single short
Vite cava semplice
Vis un étage creuse

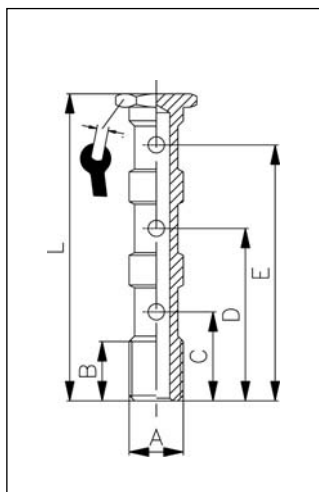
	A	B	C	L		
14101	M5	4,5	9,6	17,5	8	100
14106	M6	7,5	10,8	19,0	8	100
14102	G ¹ / ₈	7,5	15,0	28,0	14	50
14403	G ¹ / ₄	11,0	18,0	33,0	17	50
14404	G ³ / ₈	12,0	21,5	37,0	22	50
14405	G ¹ / ₂	14,5	23,5	42,0	27	25



408

Hohlschraube 2-fach
 banjo stem double short
Vite cava doppia
 Vis deux étages creuse

	A	B	C	D	L		
14202	G ¹ / ₈	9	15,0	31,0	44,5	14	50
14503	G ¹ / ₄	11	17,0	36,0	51,5	17	50
14504	G ³ / ₈	12	20,5	42,0	58,6	22	50
14505	G ¹ / ₂	13	23,5	49,5	68,0	27	25



415

Hohlschraube 3-fach
 banjo stem triple
Vite cava tripla
 Vis trois étages creuse

	A	B	C	D	E	L		
14301	G ¹ / ₈	9	16,0	32,5	48,0	60,0	14	50
14703	G ¹ / ₄	12	18,5	37,0	55,5	70,5	17	50
14303	G ³ / ₈	13	20,0	43,0	65,0	80,0	19	50
14705	G ¹ / ₂	16	25,0	51,0	70,5	94,0	24	25

